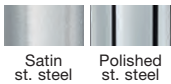
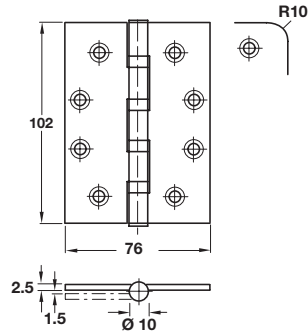
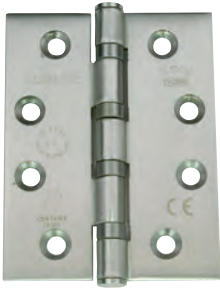


Phoenix Slimline, stainless steel butt hinge, 102 x 76 mm



- > ANSI hole pattern
- > Maximum adjusted door weight 120 kg
- > Minimum door thickness 35 mm
- > Square and radius corners
- > Five knuckle hinge with hardened steel thrust washers
- > Approved CF 351 certifiere
- > Grade 304 stainless steel
- > Order qty: 1 pc

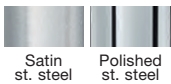
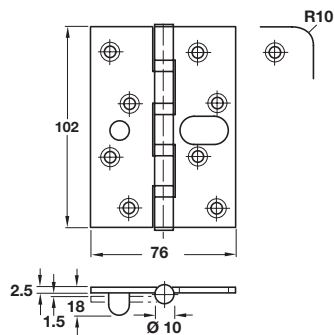
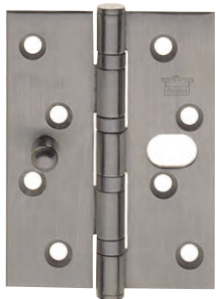
BS EN 1935

4 7 6 1 1 4 0 13



Finish	Satin	Polished
Square corners	926.91.380	926.91.381
Radius corners	926.91.390	926.91.391

Phoenix Slimline, stainless steel security butt hinge, 102 x 76 mm



- > Staggered hole pattern
- > Maximum adjusted door weight 120 kg
- > Minimum door thickness 35 mm
- > Square and radius corners
- > Grade 304 stainless steel
- > Order qty: 1 pc

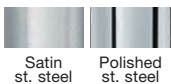
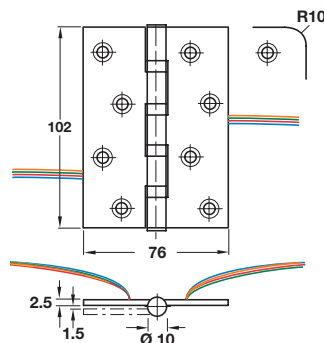
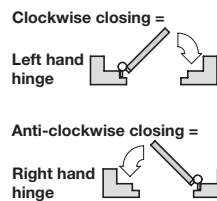
BS EN 1935

4 7 6 1 1 4 0 13



Finish	Satin	Polished
Square corners	921.08.170	926.91.401
Radius corners	926.91.410	926.91.411

Slimline, stainless steel, conductor butt hinge, 102 x 76 mm



- > Staggered hole pattern
- > Non load bearing
- > Four wire facility
- > Low voltage, normally 24V @ 24 amps
- > For use when power supply needs to be transferred from frame to door
- > Non load bearing, for centre position only and to be used with outer pair of compatible hinges
- > Square or radius corners
- > Grade 304 stainless steel
- > Order qty: 1 pc



Corners	Satin	Polished
Square corners		
Clockwise closing	921.09.111	921.09.113
Anti-clockwise closing	921.09.110	921.09.112
Radius corners		
Clockwise closing	921.09.115	921.09.117
Anti-clockwise closing	921.09.114	921.09.116