

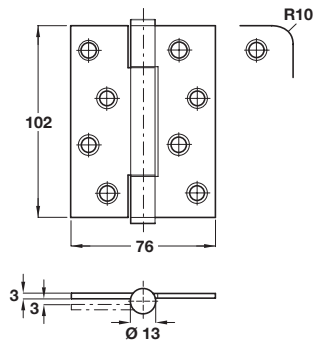
STAINLESS STEEL BUTT HINGES

High quality butt hinges for interior and exterior door applications.



Copper finishes are also available to order on request - please contact us for further information

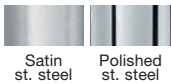
Stainless steel, fixed pin, 3 knuckle, concealed bearing butt hinge, 102 x 76 mm



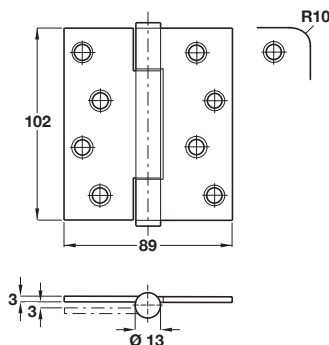
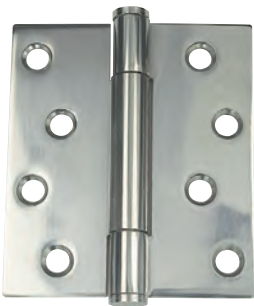
- > Staggered hole pattern
- > Maximum adjusted door weight 160 kg
- > Minimum door thickness 35 mm
- > Square and radius corners
- > Maintenance free
- > Grade 304 stainless steel
- > Order qty: 1 pc



Finish	Satin	Polished
Square corners	926.91.180	926.91.181
Radius corners	926.91.190	926.91.191



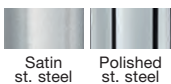
Stainless steel, fixed pin, 3 knuckle, concealed bearing butt hinge, 102 x 89 mm



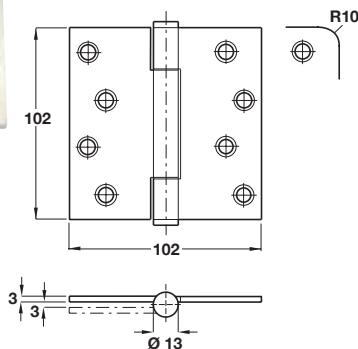
- > Staggered hole pattern
- > Maximum adjusted door weight 160 kg
- > Minimum door thickness 44 mm
- > Square and radius corners
- > Maintenance free
- > Grade 304 stainless steel
- > Order qty: 1 pc



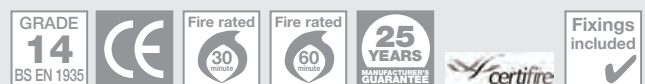
Finish	Satin	Polished
Square corners	926.91.200	926.91.201
Radius corners	926.91.210	926.91.211



Stainless steel, fixed pin, 3 knuckle, concealed bearing butt hinge, 102 x 102 mm



- > Staggered hole pattern
- > Maximum adjusted door weight 160 kg
- > Minimum door thickness 44 mm
- > Square and radius corners
- > Maintenance free
- > Grade 304 stainless steel
- > Order qty: 1 pc



Finish	Satin	Polished
Square corners	926.91.220	926.91.221
Radius corners	926.91.230	926.91.231



TCH AH 2016. © Häfele U.K. Ltd 2016. Dimensional data not binding. We reserve the right to alter specifications without notice.