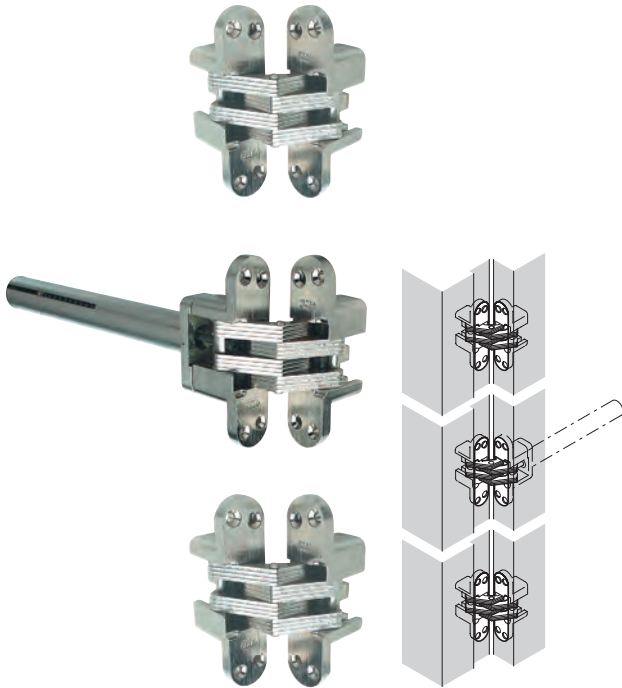
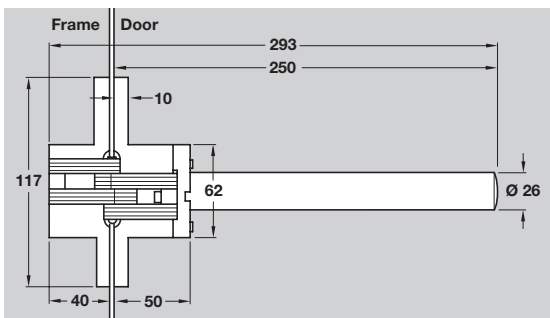
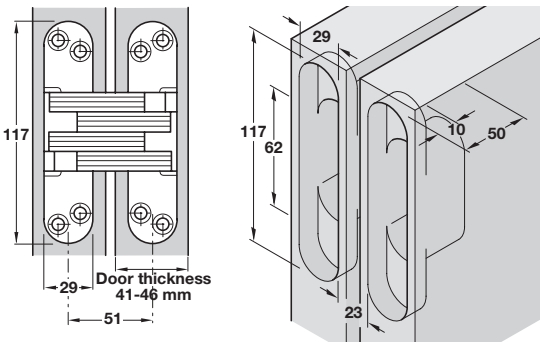



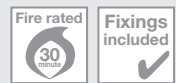
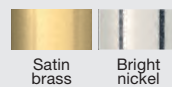
## Soss concealed door closer kit




- > Device provides uncontrolled closing for hinged timber and metal doors by means of an adjustable high grade helical spring concealed within the door panel
- > No latch snap action
- > Set includes 3x 'Soss 218' concealed mortise hinges, one incorporating the spring mechanism
- > Door thickness 41-46 mm
- > Maximum door weight 25 kg
- > Suitable for interior doors only
- > Unhanded
- > Available with exposed components either brass or satin nickel plated
- > Adjustable closing speed
- > Closer hinge should be sited mid height
- > Hinges must be installed plumb to achieve maximum closing performance
- > Zinc alloy with plated steel links
- > Order qty: 1 set



-  > CAUTION: If door panel needs to be held back or opened further than 100°, then tension on the spring should be reduced to prevent deterioration of the mechanism
- > Lubrication is required at instillation stage and regularly thereafter
- > Door construction must allow for 240 mm depth of spring unit x Ø 25.5 mm



Finish	Cat. No.
Satin brass-plated	927.50.205
Bright nickel-plated	927.50.207

 Installation templates are recommended, shown in **Section 3** on page **96**