

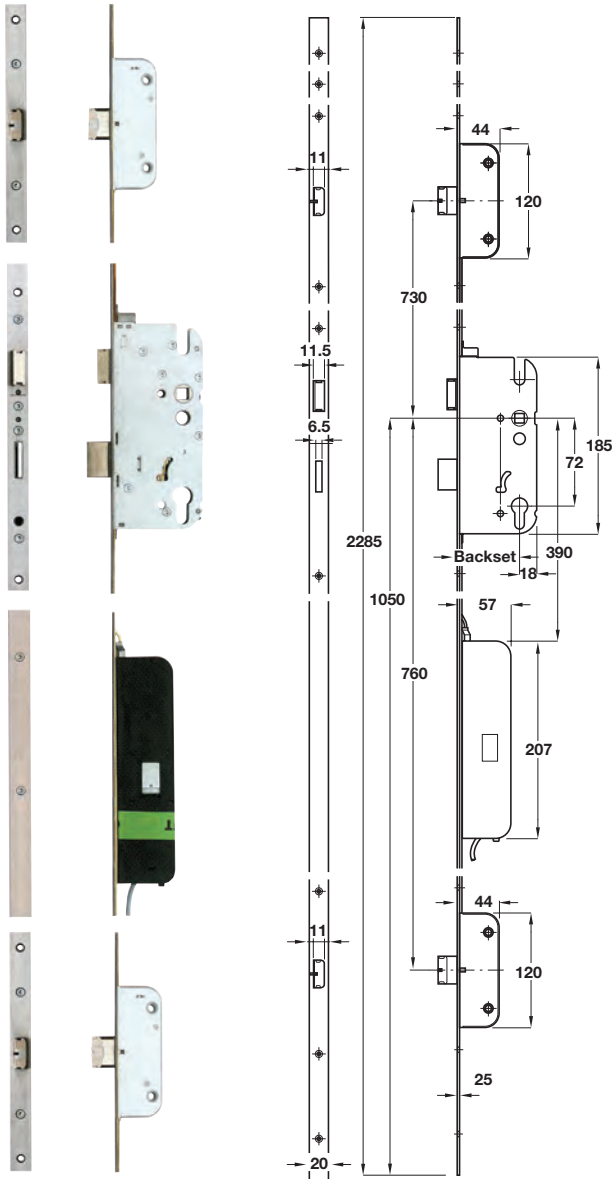
# ELECTRONIC LOCKING HARDWARE

Multipoint locking devices, electric strikes and electromagnetic locks.

5

Door Locking and Security: Access Control

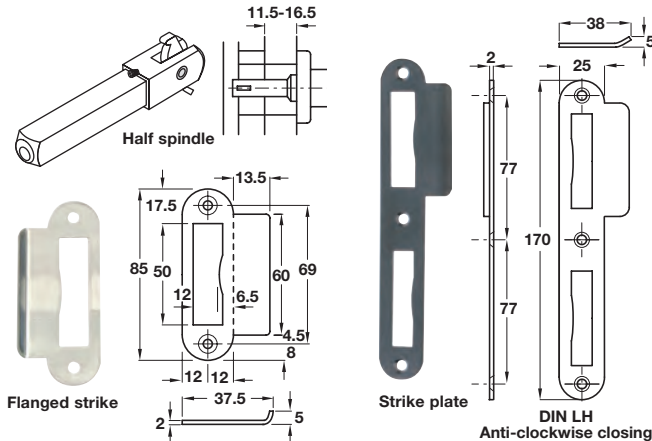
## Multiple locking device



- > Suitable for timber, PVCu and aluminium doors  
Suits either hand of door  
To be used in conjunction with Dialock electronic or equal, control systems  
To suit profile cylinders  
Automatic latchbolts, lock automatically on closing the door
- > Technical data:  
Backsets 55 mm and 65 mm  
10 mm square follower  
Nominal voltage AC/DC - 12V 50Hz  
Max. current - 1A  
IP 40 rated  
Extension speed - 16/20 mm/s  
Max. carrying capacity - 70N
- > Opening and locking functions:  
Automatic locking - latch bolts are automatically prelocked when door closes  
Automatic release - from inside, by a sensor. Latch and automatic latch bolts are retracted at the same time. From outside, through the electronic control system. i.e. Dialock  
Mechanical activation (always possible) - from inside, by activating the lever handle. From outside, by key
- > Components:  
1x Multiple locking device  
1x Connecting cable, approx 6 m  
1x Plug with bare ends
- > Galvanised steel lock case. Stainless steel forend. Nickel-plated zinc diecast latch and automatic latch bolt. Nickel-plated steel deadbolt. Zinc diecast follower
- > Backset versions 35 and 65 mm are available - information on request
- > Order fixing screws separately
- > Order qty: 1 set

Backset	Forend width	Cat. No.
55 mm	20 mm	911.49.065
65 mm	20 mm	911.49.066

## Multiple locking device accessories



- > Order separately, for non-rebated wooden frames:  
Half spindle, 8/10 x 60 mm  
Flanged strike plate, lug angled, satin stainless steel  
Lock strike plate, DIN left hand and DIN right hand, flat type, satin stainless steel
- > Order qty: See table below

Item	Order qty per lock	Cat.No.
Half spindle	1 pc	909.46.116
Flanged strike	2 pcs	911.39.322
Strike plate LH	1 pc DIN	911.39.007
Strike plate RH	1 pc DIN	911.39.008

TOH AH 2016, © Hafele U.K. Ltd 2016. Dimensional data not binding. We reserve the right to alter specifications without notice.