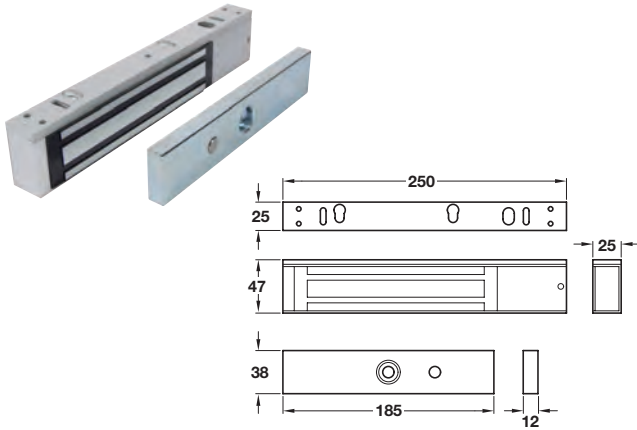


## Mini electromagnetic lock

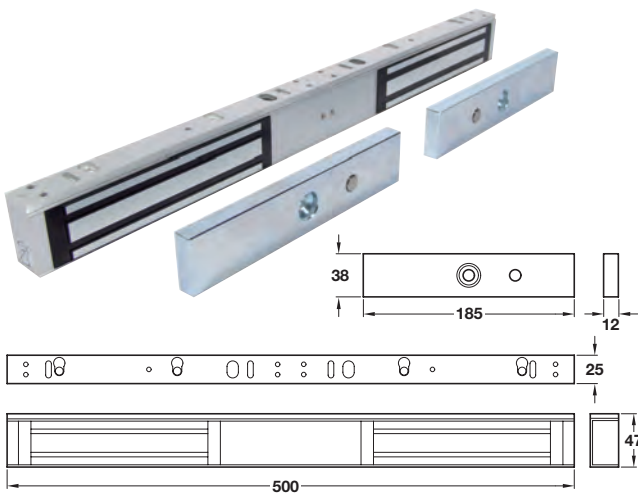


- > Single door, single swing unit
- > Holding force 270 kg
- > Always fail unlocked
- > Option of door status monitor (DSM)
- > LED indicator on monitored version
- > Steel armature fixed through door provides secure mounting
- > 12V/24V DC
- > Current consumption - 500 mA @ 12V, 250 mA @ 24V
- > Aluminium body
- > Order qty: 1 pc



Option	Unmonitored	Monitored
Cat.No.	912.05.011	912.05.013

## Double mini electromagnetic lock

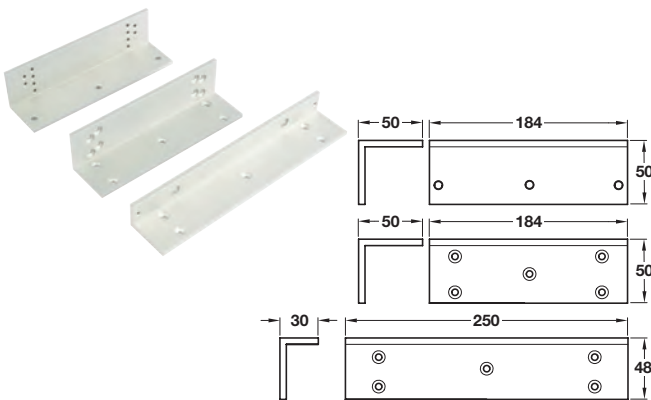


- > Double door, single swing unit
- > Holding force 270 kg per magnet
- > Always fail unlocked
- > Door status monitor (DSM) - Unmonitored
- > LED indicator on monitored version
- > Steel armature fixed through door provides secure mounting
- > 12V/24V DC
- > Current consumption - 500 mA @ 12V, 250 mA @ 24V per magnet
- > Aluminium body
- > Order qty: 1 pc



Option	Cat.No.
Unmonitored	912.05.012

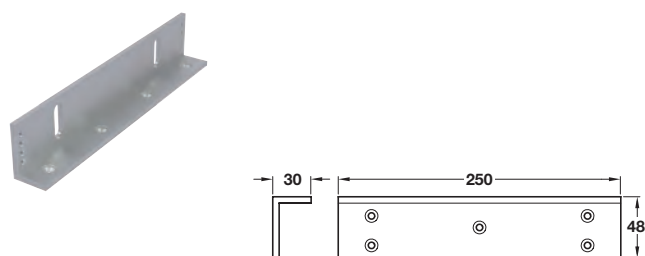
## 'Z' and 'L' bracket set



- > To suit mini electromagnetic locks above (2x brackets required for double mini electromagnetic lock)
- > To convert magnet for inswinging doors
- > Steel, silver finish
- > Order qty: 1 set

Cat. No.
Z and L bracket set
912.05.023

## 'L' bracket



- > To suit mini electromagnetic locks above (2 brackets required for double mini electromagnetic lock)
- > For doors without overhead reveal
- > Steel, silver finish
- > Order qty: 1 pc

Cat. No.
L bracket only
912.05.024