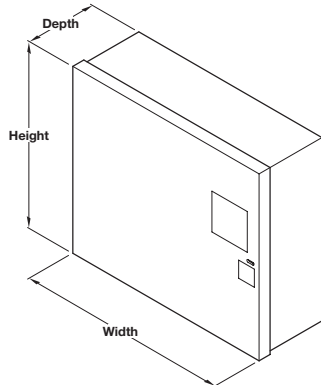
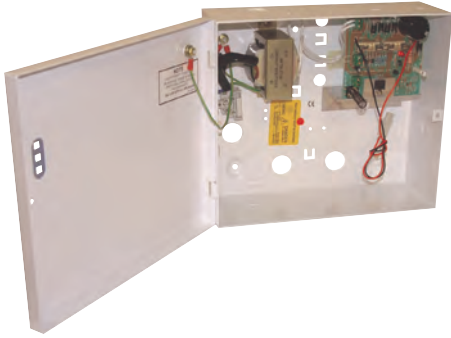


Power supply 12V DC



- > Input specification: Voltage 230V AC +10%/-15%. Frequency 50 Hz
- > Output specification: 13.6-14 V dc on mains power, 10.5-12.3 V dc on battery standby
- > Suitable for access control
- > A regulated 13.8V DC output supplying continuous full rated current to load and up to an additional 0.5A for trickle charging a standby battery
- > Load output features full electronic short circuit protection under mains operation
- > Front tamper circuit
- > Mains present and fault indicator LEDs
- > This power supply unit complies with relevant EMC and safety standards
- > White painted steel
- > Order qty: 1 pc

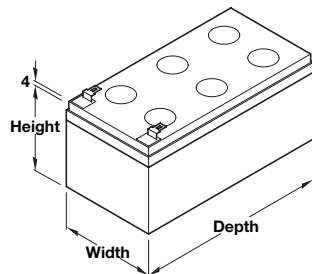
Output current	1 Amp	2 Amp	3 Amp
Mains fuse	500 mA	1 A	2 A
Output fuse	1.6 Amp	2 A	3.15 A
Battery fuse	1.6 A	2 A	3.15 A
Standby battery type	7 Ah x 1	7 Ah x 1	7 Ah x 2
Battery recharge	13 hrs	13 hrs	26 hrs



Amps	Height x Width x Depth	Cat. No.
1	206 x 237 x 90 mm	917.91.021
2	206 x 237 x 90 mm	917.91.022
3	330 x 353 x 90 mm	917.91.023

5

Rechargeable battery



Output e.g. 7.0 Amp = 12V DC 1 Amp for 7 hrs
12V dc 0.5 Amp for 14 hrs. N.B. Only assume a maximum performance of 75% to allow for cell deterioration

- > Lead acid
- > Output voltage 12V DC
- > Output current 1.2 Amp, 2.8 Amp or 7.0 Amp
- > Batteries should be replaced every 3 years
- > Order qty: 1 pc

Amps	Height x Width x Depth	Cat. No.
1.2	51 x 47 x 96 mm	910.54.970
2.8	60 x 67 x 134 mm	910.54.971
7.0	93 x 65 x 152 mm	910.54.972

12V DC, 2A Power supply unit and mounting case



- > For casing Dialock control unit
- > Height x Width x Depth: 373 x 264 x 136 mm
- > Beige and clear plastic mounting case. White painted steel power supply unit
- > 2 Amp power supply unit included
- > Order battery separately, Cat. No. 910.54.972, shown above
- > Order qty: 1 set

	Cat. No.
Power supply unit	917.91.032