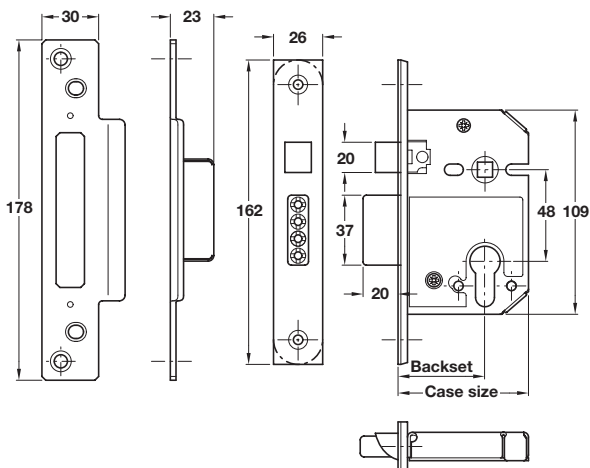


Mortice sashlock, lock case only



- > Latchbolt operated by lever handles. Deadbolt operated by cylinder
- > 4 hardened steel rollers in dead bolt, revolves to resist hacksawing
- > Case: Hardened steel, anti-drill plates on both sides of lock
- > Forend: Steel
- > Strike plate: Box type. Steel
- > Latchbolt: Brass-plated zinc alloy. Reversible
- > Deadbolt: Brass-plated zinc alloy. 20 mm throw
- > Follower: 8 mm. For use with sprung or unsprung furniture
- > Order qty: 1 pc



Finish	Cat. No.
Backset 44 mm, case size 67 mm	
Satin stainless steel	911.03.605
Brass effect	911.03.606
Backset 56 mm, case size 79 mm	
Satin stainless steel	911.03.607
Brass effect	911.03.608



Order cylinders separately, see pages 65-77