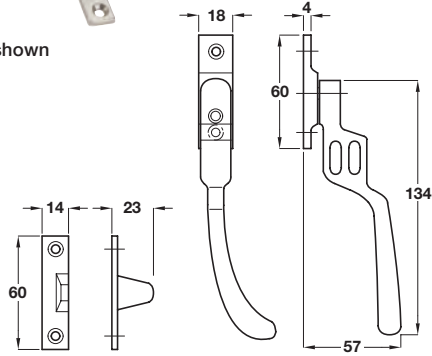


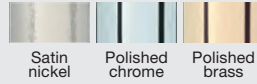
Lockable casement fastener, vented wedge



Right hand version shown



- > Handed
- > Wedge plate included
- > Designed for use with standard rebated frames
- > Locking version only, with two lockable vent positions
- > Nickel plated key included with each fastener
- > Matching casement stays are shown below
- > Brass
- > Order qty: 1 pc

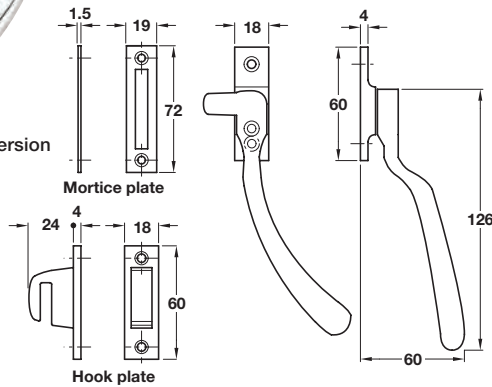


Finish	Left hand	Right hand
Satin nickel	970.03.286	970.03.296
Polished chrome	970.03.282	970.03.292
Polished brass	970.03.288	970.03.298

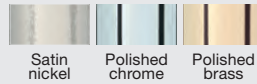
Lockable casement fastener, mortice or hook plate



Right hand version shown

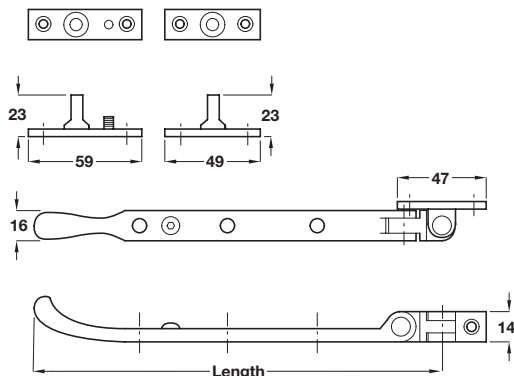


- > Handed
- > Choice of mortice or hook plate included:
Mortice plate, for standard rebated frames
Hook plate, for flush frames or double windows
- > Locking version only
- > Nickel plated key included with each fastener
- > Matching casement stays are shown below
- > Brass
- > Order qty: 1 pc

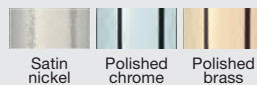


Finish	Left hand	Right hand
Satin nickel	970.03.306	970.03.316
Polished chrome	970.03.302	970.03.312
Polished brass	970.03.308	970.03.318

Casement stay, locking



- > 1 standard pin and 1 locking pin included
- > Non removable captive locking cap
- > Nickel plated key included with each fastener
- > Matching fasteners are shown above
- > Brass
- > Order qty: 1 pc



Length	203 mm	254 mm	305 mm
Satin nickel	973.00.636	973.00.646	973.00.656
Polished chrome	973.00.632	973.00.642	973.00.652
Polished brass	973.00.638	973.00.648	973.00.658