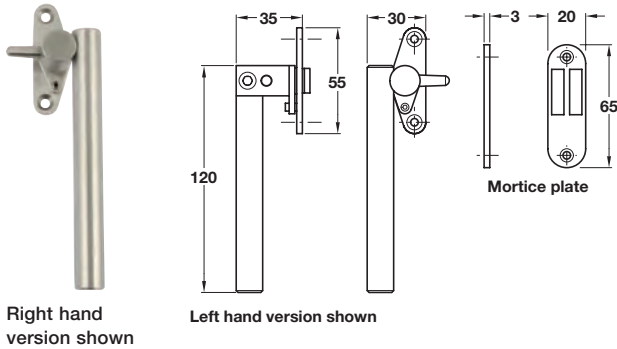


## Casement fasteners

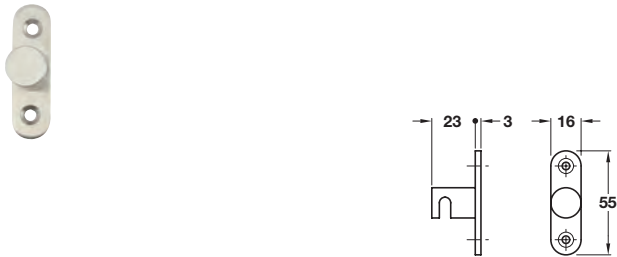


- > Handed
- > Mortice plate included
- > Hook plate must be ordered separately if required, 973.02.110 shown below
- > Lockable, allen key included
- > Matching casement stay 973.02.120 shown below
- > Stainless steel
- > Order qty: 1 pc



Finish	Left hand	Right hand
Satin	973.02.100	973.02.101

## Hook plate



- > For use with casement fasteners shown above
- > Stainless steel
- > Order qty: 1 pc



Finish	Cat. No.
Satin	973.02.110

## Spare mortice plate

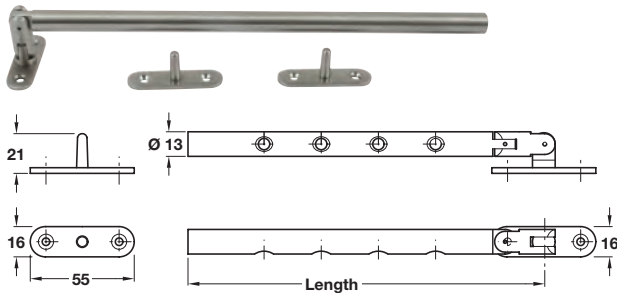


- > For use with casement fasteners shown above
- > Stainless steel
- > Order qty: 1 pc



Finish	Cat. No.
Satin	973.02.111

## Casement stay

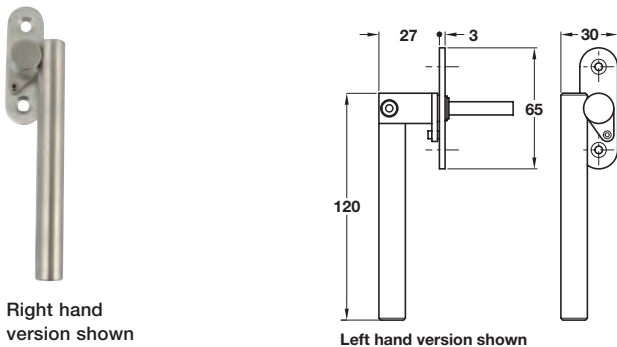


- > Two standard pins included
- > Concealed position holes
- > Matching casement fasteners shown above
- > Stainless steel
- > Order qty: 1 pc



Length	250 mm
Satin	973.02.120

## Espagnolette window handles



- > For use with espagnolette bolts as shown on page 14
- > Handed
- > 7 x 33 mm square spindle included
- > Stainless steel
- > Order qty: 1 pc



Finish	Left hand	Right hand
Satin	973.30.410	973.30.420