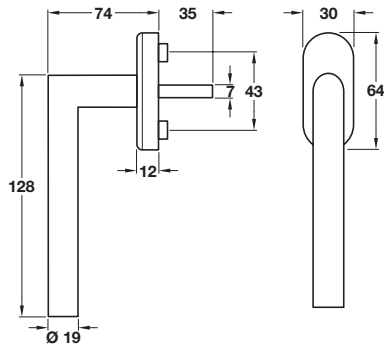


Startec SANDRA-K window handle

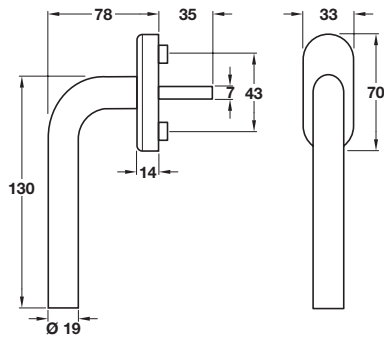


- > For use with espagnolette bolt
- > 7 mm square spindle
- > 8 positions at 45° for tilt and turn windows
- > Stainless steel
- > Order qty: 1 pc

| | | |
|--|----------------------|-------------------------|
| 10 YEARS MANUFACTURER'S GUARANTEE | Plain spindle | Fixings included |
|--|----------------------|-------------------------|

| | |
|-----------------------|------------|
| Finish | Cat. No. |
| Satin stainless steel | 973.30.900 |

Startec SOFEA-K window handle

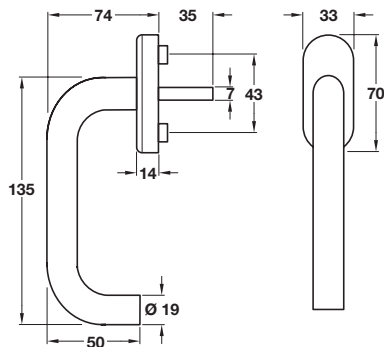


- > For use with espagnolette bolt
- > 7 mm square spindle
- > 8 positions at 45° for tilt and turn windows
- > Stainless steel
- > Order qty: 1 pc

| | | |
|--|----------------------|-------------------------|
| 10 YEARS MANUFACTURER'S GUARANTEE | Plain spindle | Fixings included |
|--|----------------------|-------------------------|

| | |
|-----------------------|------------|
| Finish | Cat. No. |
| Satin stainless steel | 973.30.880 |

Startec SARIA-K window handle

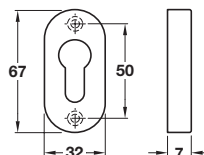


- > For use with espagnolette bolt
- > 7 mm square spindle
- > 8 positions at 45° for tilt and turn windows
- > Stainless steel
- > Order qty: 1 pc

| | | |
|--|----------------------|-------------------------|
| 10 YEARS MANUFACTURER'S GUARANTEE | Plain spindle | Fixings included |
|--|----------------------|-------------------------|

| | |
|-----------------------|------------|
| Finish | Cat. No. |
| Satin stainless steel | 973.30.890 |

Startec Escutcheon, profile cylinder



- > To suit narrow stile locks
- > Concealed fixing
- > Grade 304 stainless steel
- > Order qty: 1 pc

| |
|-------------------------|
| Fixings included |
|-------------------------|

| | |
|----------------------|------------|
| Finish | Cat. No. |
| Matt stainless steel | 903.80.700 |

Window Fittings: Espagnolette and Casement

6