

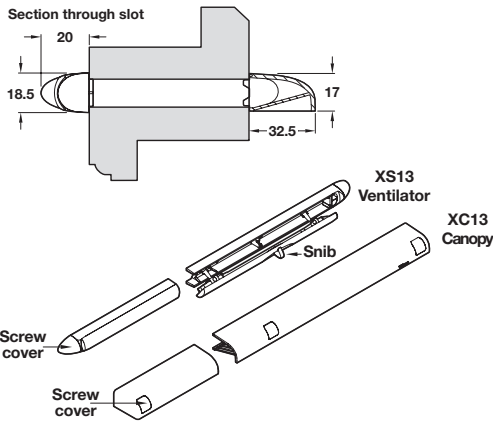
## XS13 Trimvent Select XS13 plastic slot ventilator



Vent



Canopy

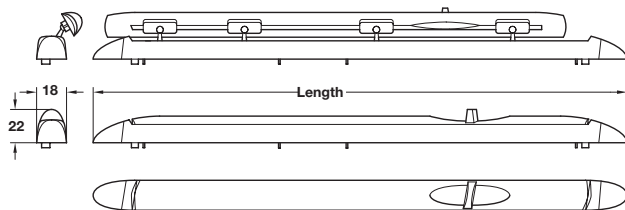
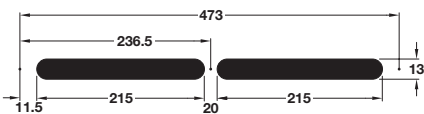


### Slot detail and dimensions

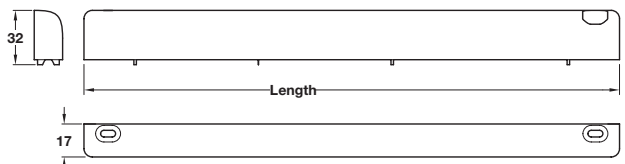
#### 411 mm long vent



#### 497 mm long vent



Vent



Canopy

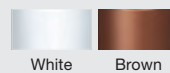
- > Specially developed for Part F of Building Regulations Ventilation (England and Wales)
- > Deflects air up, down or both and straight
- > Use 13 mm high slot (see diagrams below)
- > Equivalent Area (EA) mm<sup>2</sup> 4400 and 5000
- > Sculptured finger recess
- > Vent and canopy supplied with screw covers
- > Comprises:
  - 1x vent
  - 1x canopy
- > Plastic
- > Order qty: 1 set

### Vent - 411 mm long, canopy - 411 mm long

	Vent	Canopy
Equivalent Area (EA) mm <sup>2</sup>	4400	4400
Free Area (EA) mm <sup>2</sup>	4241	5027
Length	411 mm	411 mm
Width	18.5 mm	17 mm
Projection closed/open	20/27 mm	32.5 mm
Fixing centres	387 mm	387 mm

### Vent - 411 mm long, canopy - 411 mm long

	Vent	Canopy
Equivalent Area (EA) mm <sup>2</sup>	5000	5000
Free Area (EA) mm <sup>2</sup>	5213	6258
Length	497 mm	497 mm
Width	18.5 mm	17 mm
Projection closed/open	20/27 mm	32.5 mm
Fixing centres	473 mm	473 mm



White Brown



Finish	White	Brown
<b>Vent - 411 mm long, canopy - 411 mm long</b>		
Cat. No.	975.00.307	975.00.301
<b>Vent - 497 mm long, canopy - 497 mm long</b>		
Cat. No.	975.00.317	975.00.311