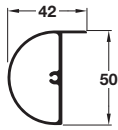


CONTEMPORARY CUBICLE FITTINGS

The aluminium Challenger range of cubicle fittings suits 17-21 mm board thicknesses.

Ultima 'D' headrail

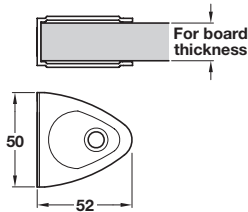


- > 3 m length
- > Aluminium
- > Order qty: 1 pc



Finish	Cat. No.
Satin anodised aluminium	980.07.002

Challenger channel bracket

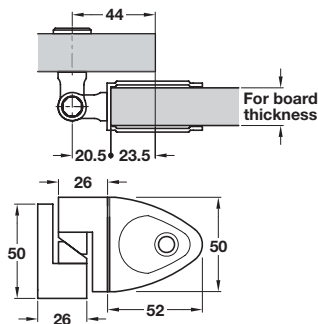


- > To suit 19-21 mm board thickness
- > Aluminium
- > Order qty: 1 set



Finish	Cat. No.
Satin anodised aluminium	980.07.006

Challenger rise and fall cubicle butt hinge



- > To suit 19-21 mm board thickness
- > Aluminium
- > Order qty: 1 pair



Finish	Cat. No.
Satin anodised aluminium	980.07.005

TOH AH 2016, © Hafele U.K. Ltd 2016. Dimensional data not binding. We reserve the right to alter specifications without notice.