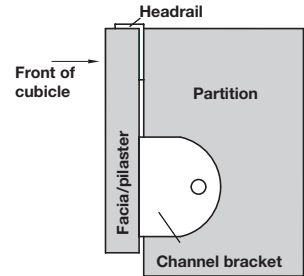
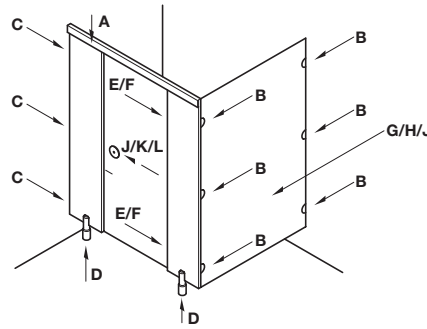


# ALUMINIUM CUBICLE FITTINGS FOR 17-21 MM BOARD

Fittings for general purpose cubicles of chipboard, plywood, etc. construction where board thickness is normally 17-21 mm incorporating 1 mm thickness laminate facing. Ideal for site installation.

> Part detail of range of cubicles showing general position of components

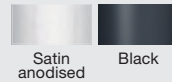
- A Headrail
- B Channel brackets (set of 3)
- C Angle brackets
- D Cubicle support
- E/F Hinges (pair)
- G/H/I Toilet roll holder
- J Indicator bolt set
- K Keep, outward opening
- L No mischief key
- M/N/O Hat and coat hook



## Headrail

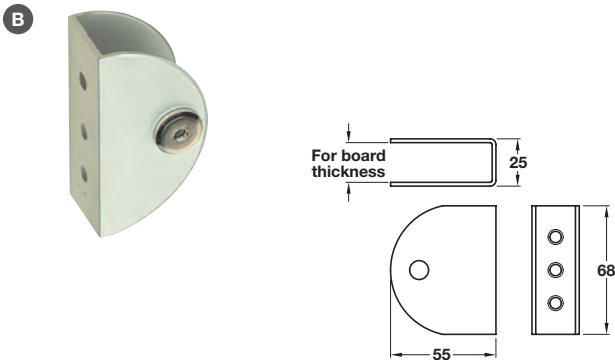


- > Screw fixes to top of pilasters - client to drill
- > Supplied in 4 m lengths
- > Aluminium
- > Order qty: 1 pc

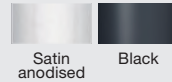


Finish	Cat. No
Satin anodised	980.07.900
Black polyester powder coated	980.07.300

## Channel bracket set

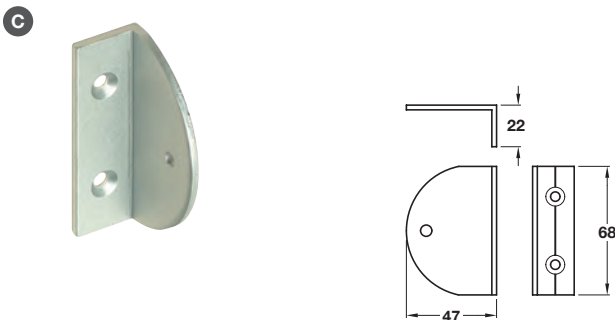


- > For board thickness 17-21mm
- > Set includes 3 brackets with bush bolts and fixings
- > To fix division panels to rear walls and front pilasters
- > Suitable for matching modesty panel fixings
- > Aluminium
- > Order qty: 1 set

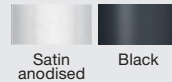


Finish	Cat.No.
Satin anodised	980.07.910
Black polyester powder coated	980.07.310

## Open sided brackets



- > Set includes 3 brackets with fixings
- > Normally for panel thickness 17-21 mm
- > To fix end pilaster to wall
- > Aluminium
- > Order qty: 1 set



Finish	Cat. No.
Satin anodised	980.07.912
Black polyester powder coated	980.07.312