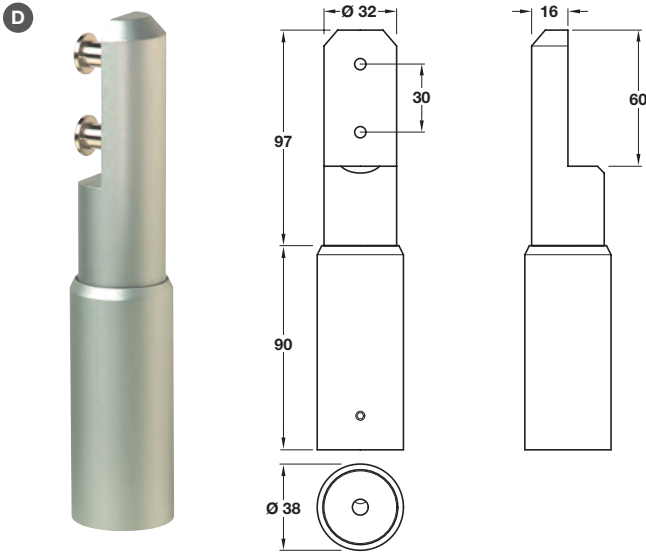
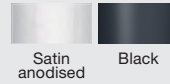


Partition support leg, adjustable

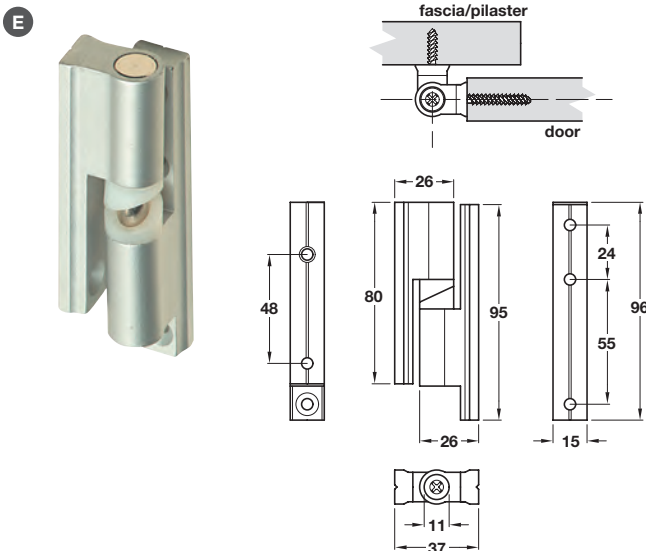


- > For board thickness 17-21 mm
- > Adjustability allows clearance of 135 - 165 mm where floor falls or is uneven
- > Aluminium
- > Order qty: 1 pc

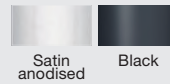


Finish	Cat. No.
Satin anodised	980.07.940
Black polyester powder coated	980.07.340

Hinge set, normal duty

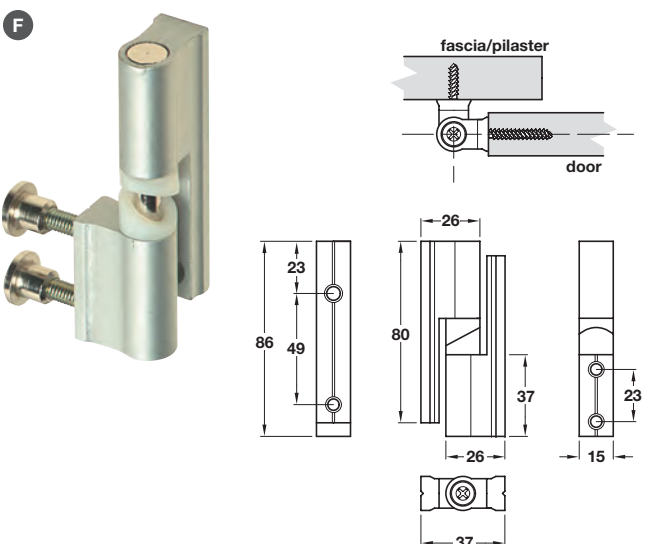


- > Supplied in pairs with concealed fixings to suit board thickness 17-21 mm
- > Reversible to either rise or fall - turn cam to suit
- > Aluminium
- > Order qty: 1 pair

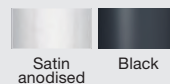


Finish	Cat. No.
Satin anodised	980.07.920
Black polyester powder coated	980.07.320

Hinge set, heavy duty



- > Supplied in pairs with 'T' nut bolts to fix through pilaster
- > Workshop pre-drilling advised
- > High resistance to "pull out"
- > All fixings supplied to suit 17-21 mm board thickness
- > Aluminium
- > Order qty: 1 pair



Finish	Cat. No.
Satin anodised	980.07.921
Black polyester powder coated	980.07.321