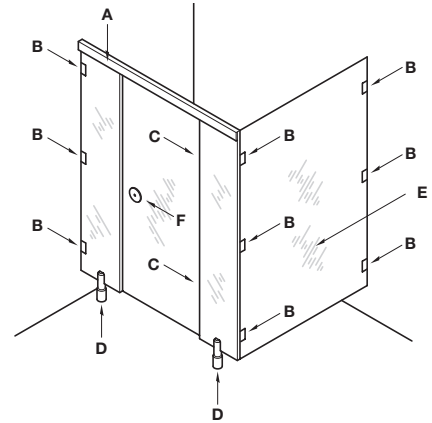


ALUMINIUM CUBICLE FITTINGS FOR 12-13 MM BOARD

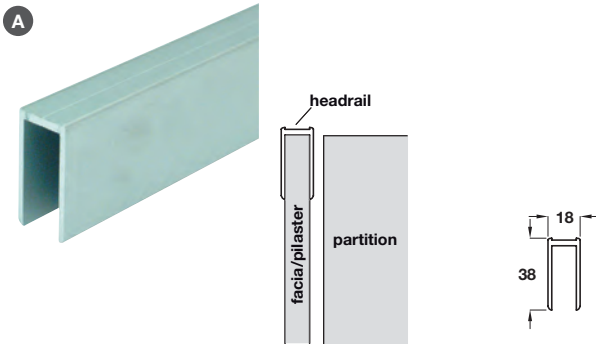
Fittings for general purpose cubicles of compact grade laminate, plywood, etc. construction where board thickness is normally 12-13 mm incorporating decorative laminate facing. Ideal for site situations.

> Part detail of range of cubicles showing general position of components

- A Headrail
- B Channel brackets (set of 3)
- C Angle brackets
- C Hinges (pair)
- D Cubicle support
- E Toilet roll holder
- F Indicator bolt set
- G Keep, outward opening



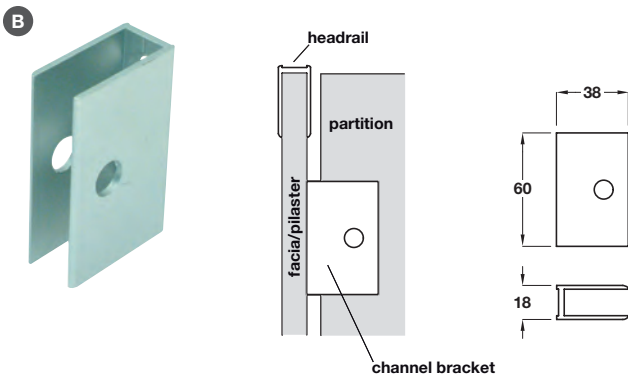
Headrail



- > To suit board thickness 12-13 mm
- > Screw fixed to top of pilasters - client to drill
- > Supplied in 4 m lengths
- > Aluminium
- > Order qty: 1 pc

Finish	Cat. No.
Satin anodised	980.07.901

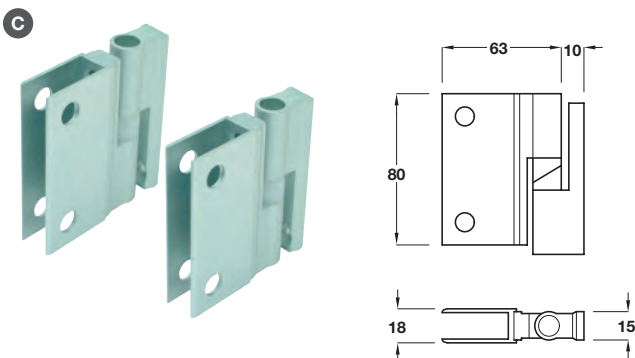
Channel bracket sets



- > To suit board thickness 12-13 mm
- > Available in 2 types
- > Supplied in sets of 3, complete with bush bolts and fixings
- > To fix division panels to rear walls and front pilasters and fix end pilaster to wall
- > Suitable for matching modesty panel fixings
- > Aluminium
- > Order qty: 1 set

Satin anodised	Cat. No.
Wall fixing	980.07.913
Through fixing	980.07.914

Hinge set, normal duty



- > Supplied in pairs with strong through fixings to suit board thickness 12-13 mm
- > Reversible. Rise or fall - turn cam to suit
- > Aluminium
- > Order qty: 1 pair

Finish	Cat. No.
Satin anodised	980.07.922