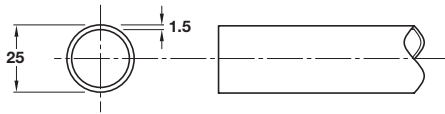


Headrail

A

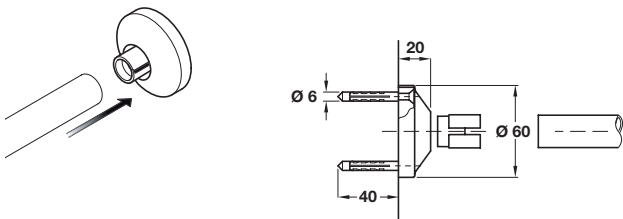


- > 3 m length, Ø 25 mm
- > Fixed over divisions and doors
- > Order socket, hanger and corner piece separately, as required
- > Grade 316L stainless steel
- > Order qty: 1 pc

Finish	Cat. No.
Satin stainless steel	980.34.120

Wall to headrail socket

B



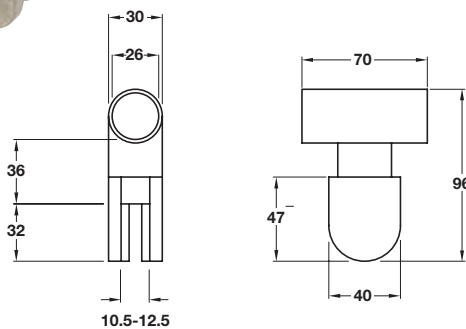
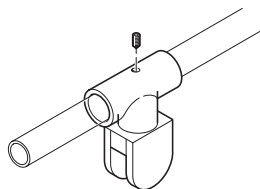
- > Secures headrail to wall
- > Press fit headrail onto connecting plug
- > Grade 316L stainless steel with galvanized steel connecting plug
- > Order qty: 1 pc



Finish	Cat. No.
Satin stainless steel	980.34.070

Hanger

C



- > Secures headrail to glass division panel
- > Slides over headrail and secured by fixings
- > Clear plastic spacers included for laminated glass thickness 10.5 to 12.5 mm
- > Grade 316L stainless steel
- > Order qty: 1 pc



Finish	Cat. No.
Satin stainless steel	980.34.010