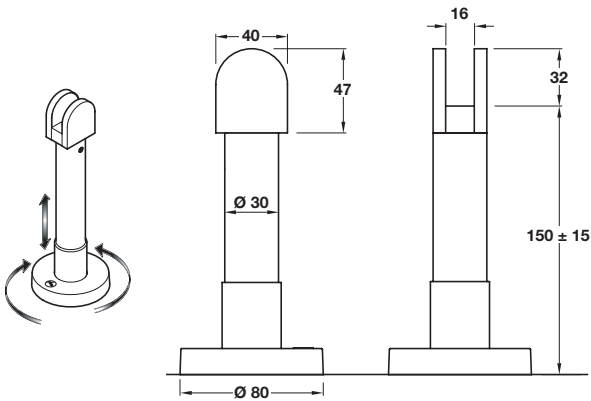


Adjustable foot support

I



- > Support for division and fascia panels
- > Height adjustable between 135 mm and 165 mm
- > Clear plastic spacers included for laminated glass thickness 10.5 to 12.5 mm
- > Grade 316L stainless steel
- > Order qty: 1 pc



Finish	Cat. No.
Satin stainless steel	980.34.000

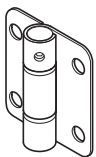
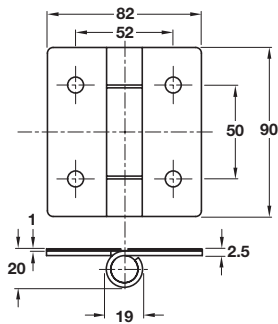
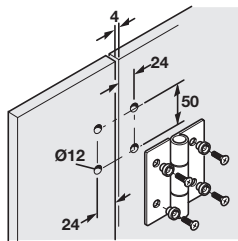
Hinge

J

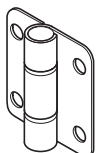


Unsprung

- > Plain bearing or spring assisted closing
- > For sprung version; adjustable closing speed to users requirements
- > Clear plastic spacers included
- > Glass must be pre-drilled
- > Grade 316L stainless steel
- > Fixings not included order separately - see table below
- > Order qty: 1 pc



Sprung



Unsprung



Finish	Unsprung	Sprung
Satin stainless steel	980.34.040	980.34.050

Fixing materials	
Type	Cat. No.
Glass to glass	980.34.060