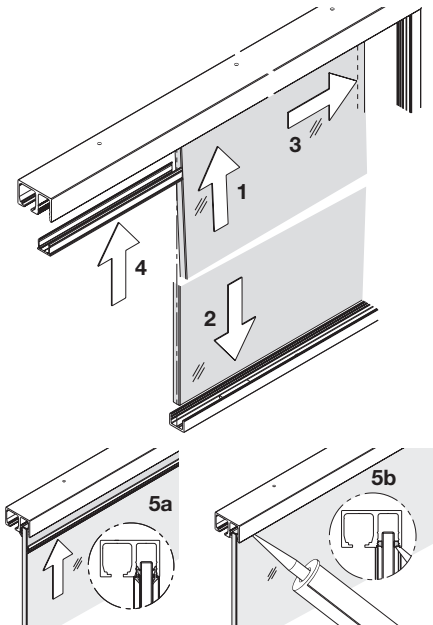


HAWA-JUNIOR 80/GL AND 80/GP WITH FIXED GLASS PANEL

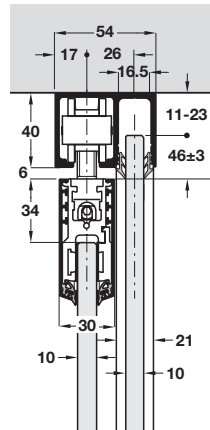
For wherever rooms need closing with unobtrusive, reliable all glass sliding doors at optimum price/performance, e.g. in hotels, restaurants, conference rooms, airports, office buildings or private residential interior and outdoor applications.

Sliding Door Fittings for Architectural Applications: Sliding Glass Interior Doors

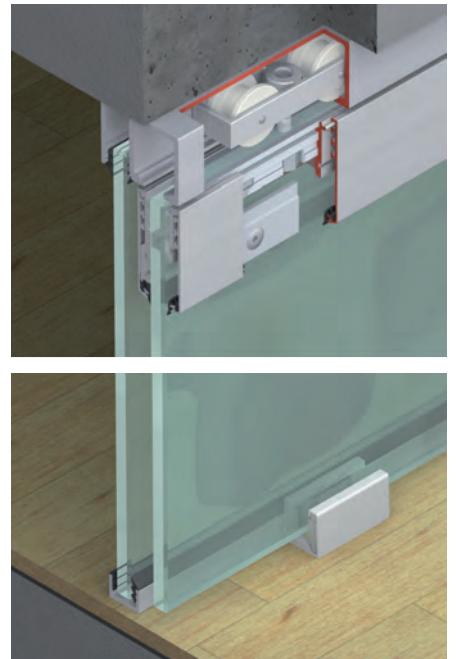
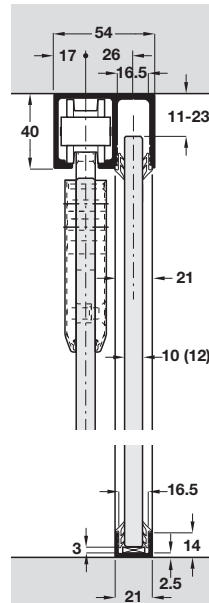
- > HAWA-Junior 80/GL and 80/GP with fixed glass
- > Fixed glass panel is positioned into retainer part of top track A shown below. No glass cut outs or additional hardware required
- > Retainer profile for wall and floor fitting provides sufficient stability.
- > Rubber profile or silicone groove holds the glass in position and prevents humidity seeping between glass and track
- > Easy fitting of fixed glass panel:
 1. Slide glass into retainer part of top track A
 2. Position the glass on the spacing block in the bottom profile C and/or
 3. Slide sideways into wall profile C
 4. Clip cover profile B into retainer part of top track A for walk-through area
 5. Seal fixed glass with either rubber profile D or silicone provided by customer



HAWA-Junior 80/GL with fixed glass

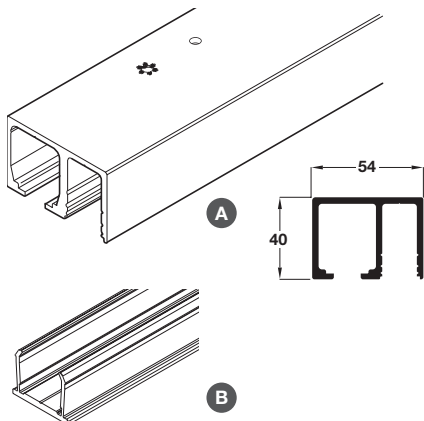


HAWA-Junior 80/GP with fixed glass



HAWA-Junior 80/GL or 80/GP tracks and fitting sets must be ordered separately, shown on pages **114-117**

Top track and cover profile for fixed glass panel

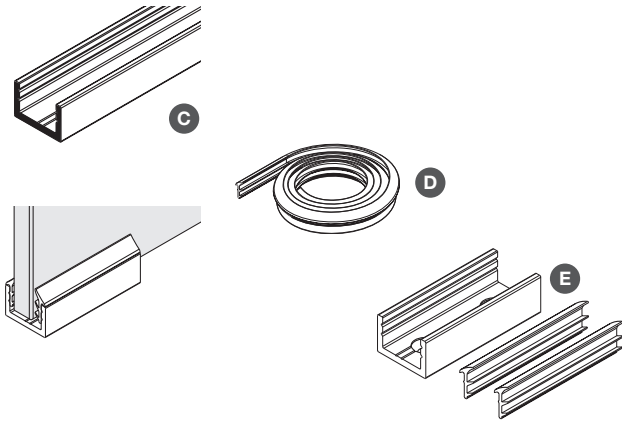


- > A Top track
- > With integrated retainer for fixed glass, with screw holes
- > Aluminium
- > Order qty: 1 pc
- > B Cover profile
- > For use with fixed glass top track A, clips into and closes retainer in walk-through area, aluminium
- > Order qty: 1 pc



Top track	2.5 m	3.5 m
Item A	940.80.256	940.80.356
Cover profile, 1.25 m	Silver anodised	
Item B	940.40.132	

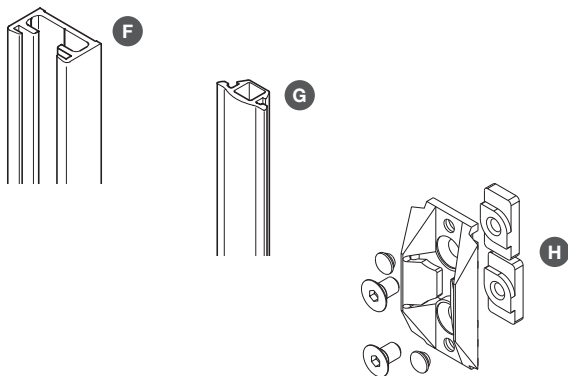
Bottom/wall profiles and glass retainer



- > C Bottom/wall profile, with screw holes, silver anodised aluminium
- > Order qty: 1 pc
- > D Rubber profile, black
- > Order qty: 1 roll
- > E Bottom/wall glass retainer, with screw holes and rubber profile, aluminium, 50 mm
- > Order qty: 1 pc

Bottom/wall profile	3.5 m
Item C	940.41.535
Rubber profile	10 m
Item D	940.41.053
Bottom/wall glass retainer	Silver anodised
Item E	940.41.054

Centring door stop, with wall profile and rubber seal



- > F Wall profile, undrilled, silver anodised aluminium
- > Order qty: 1 pc
- > G Rubber seal, for use with profile F, black rubber
- > Order qty: 1 pc
- > H Centring door stop, for insertion into wall profile F, black plastic
- > Order qty: 1 pc

Wall profile	2.5 m	3.5 m
Item F	941.24.925	941.24.935
Rubber seal	2.5 m	3.5 m
Item G	941.24.081	941.24.082
Centring door stop		
Item H	941.24.043	

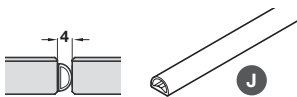
Alternative centring door stop



- > Wall fixing
- > Grey plastic
- > Order qty: 1 pc (2 pcs required per panel)

	Cat. No.
Centring door stop	941.24.042

Rubber profile

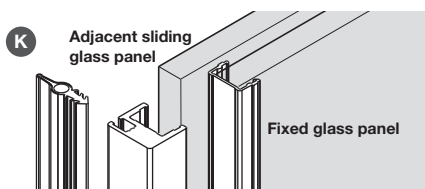


- > Longer lengths of rubber profile and transparent version also available on request

- > For vertical glass edge protection - recommended for glass doors that can strike against one another
- > Self adhesive, black
- > Order qty: 1 roll

Length	5.0 m
For 8/10 mm glass thickness	404.95.321

Vertical seal set



- > For gaps between sliding fixed glass panels
- > Silver anodised aluminium, rubber insert
- > Order qty: 1 set

Length	2.5 m	3.5 m
Cat. No.	940.41.825	940.41.835