

SF-A84 FOLDING DOOR SYSTEM

Good quality simple to install system for timber folding door panels, up to four each side. This low headroom system also offers the option to mount the track in the ceiling to cover the full opening.

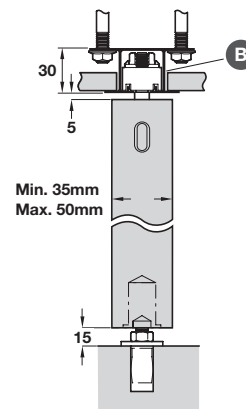
- > SF-A84
- > Range:
 - Max. door weight: **80 kg** for 2 doors, **30 kg** other sets
 - Max. door height: **2500 mm**
 - Max. door width: **1000 mm** for 2 doors, **750 mm** other sets
 - For door thickness **35-55 mm**
- > 1000 mm panels can be installed without a bottom channel on 2 doors only folding to one side

SF-A84 - Guideline to specifying sets

Configuration	Sets required
<p>Option 1: 3 doors with bottom channel</p>	1x 943.03.000, 1x 943.03.603, 1x 943.03.803, 1x 943.52.201, 6x 926.90.203, 1x flush bolt, and handles
<p>Option 2: 3 (2+1) doors no bottom channel</p>	1x 943.03.000, 1x 943.03.603, 1x 943.03.001, 3x 926.90.203, 1x flush bolt, and handles
<p>Option 3: 4 (3+1) doors with bottom channel</p>	1x 943.03.000, 1x 943.03.603, 1x 943.03.803, 1x 943.52.201, 6x 926.90.203, 1x 943.03.001, 2x flush bolts, and handles
<p>Option 4: 5 (3+2) doors with bottom channel</p>	2x 943.03.000, 2x 943.03.602, 2x 943.52.201, 2x 943.03.803, 9x 926.90.203, 2x flush bolts, and handles
<p>Option 5: 6 (3+3) doors with bottom channel</p>	2x 943.03.000, 1x 943.03.603, 1x 943.03.603, 2x 943.03.803, 2x 943.52.201, 12x 926.90.203, 3x flush bolts, and handles
<p>Option 6: 4 doors with bottom channel</p>	1x 943.03.000, 1x 943.03.002, 1x 943.03.603, 1x 943.03.803, 2x 943.52.201, 9x 926.90.203, 2x flush bolts, and handles
<p>Option 7: 5 (4+1) doors with bottom channel</p>	1x 943.03.000, 1x 943.03.002, 2x 943.03.602, 2x 943.03.803, 2x 943.52.201, 9x 926.90.203, 1x 943.03.001, 2x flush bolts, and handles
<p>Option 8: 6 (4+2) doors with bottom channel</p>	2x 943.03.000, 1x 943.03.002, 1x 943.03.602, 1x 943.03.603, 2x 943.03.803, 3x 943.52.201, 12x 926.90.203, 3x flush bolts, and handles
<p>Option 9: 7 (4+3) doors with bottom channel</p>	2x 943.03.000, 1x 943.03.002, 2x 943.03.603, 2x 943.03.803, 3x 943.52.201, 15x 926.90.203, 3x flush bolts, and handles
<p>Option 10: 8 (4+4) doors with bottom channel</p>	2x 943.03.000, 2x 943.03.002, 2x 943.03.603, 2x 943.03.803, 4x 943.52.201, 18x 926.90.203, 4x flush bolts, and handles

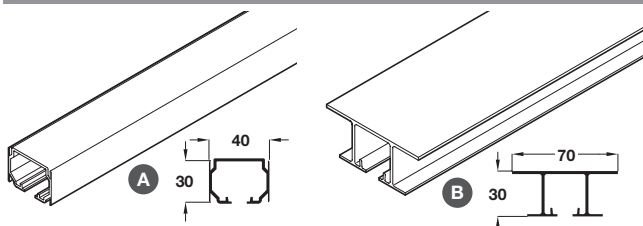


- ! > Guidelines shown in table left suggest use of standard top track A (943.03.602/603) but ceiling option is available if required - track B shown below



- ➔ > Tracks, fitting sets and hinges, shown below and on page 157, must be ordered separately
- > Flush bolts and handles, shown on page 163 must also be ordered separately
- > Locks, if required, are shown on pages 169-170

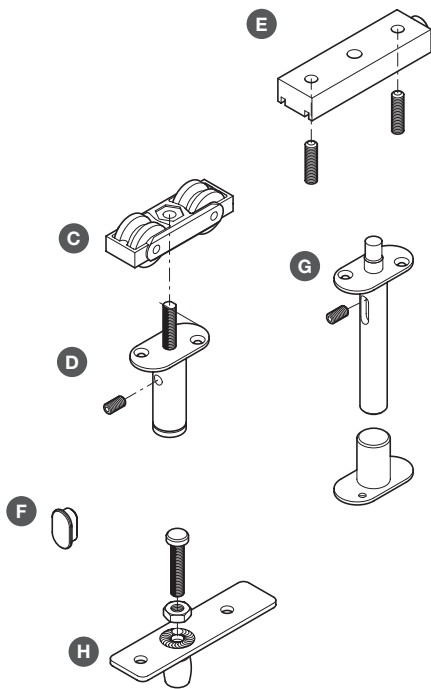
SF-A84 top tracks



- > A Single top track, undrilled, satin anodised aluminium
- > B Single top track, undrilled, for fixing to plasterboard or plaster ceilings, satin anodised aluminium
- > Order qty: 1 pc

Item	2.0 m	3.0 m
A Single top track	943.03.602	943.03.603
B Single top track, ceiling option	003.59.005	003.59.006

SF-A84 fitting sets



> Fitting sets include:

- C Trolley hanger, galvanized steel
- D Fixing plate, galvanized steel
- E Track stopper, galvanized steel
- F End cap, for access to adjustment on D and G, galvanized steel
- G Top pivot, galvanized steel
- H Bottom pivot, galvanized steel

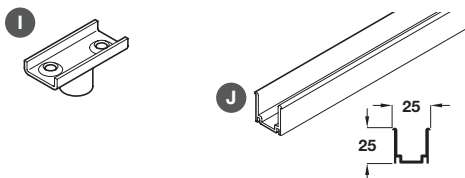
> Order qty: 1 set

Item	For 1 pair of panels
C Trolley hanger	1 pc
D Fixing plate	1 pc
E Track stopper	1 pc
F End cap	2 pcs
G Top pivot	1 pc
H Bottom pivot	1 pc
Cat. No.	943.03.000

Item	For additional pair of panels
C Trolley hanger	1 pc
D Fixing plate	1 pc
Cat. No.	943.03.002

Item	For swing door
E Track stopper	1 pc
F End cap	1 pc
G Top pivot	1 pc
H Bottom pivot	1 pc
Cat. No.	943.03.001

SF-A84 bottom guide and channel



- > I Bottom guide, for recess mounting into bottom edge of door, screw fixing, steel/plastic
- > J Bottom channel, 3.0 m, screw fixing, satin anodised aluminium

Item	Cat. No.
I Bottom guide roller, recess mounting	943.52.200
J Bottom guide channel	943.03.803

Grade 304 stainless steel ball bearing butt hinge



> For full product details please visit www.hafele.co.uk

- > K Stainless steel ball bearing butt hinge
- > Grade 13 BS EN 1935
- > Maximum adjusted door weight 120 kg
- > Minimum door thickness 35 mm
- > Ø 14 mm knuckle
- > Two high quality ball race joint bearings



Length x width	102 x 76 mm
Satin stainless steel	926.90.203

Tectus TE 240 3D hinge



> For full product details please visit www.hafele.co.uk

- > L Tectus TE 240 3D hinge, for concealed finish, alternative to hinge K shown above
- > Maximum adjusted door weight 40 kg, opening angle 180°
- > For wooden, steel or aluminium frames, for flush doors
- > For min. door thickness 25 mm



Finish	Cat. No.
Satin stainless steel effect	924.17.004