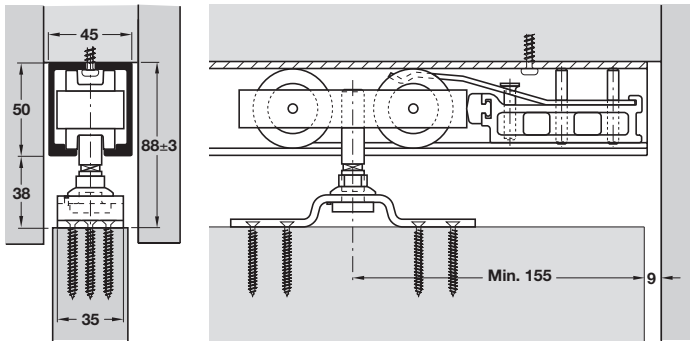
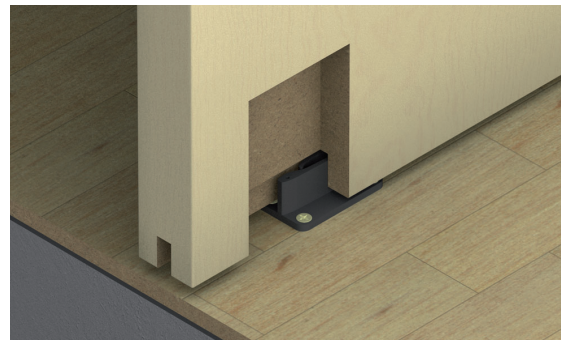
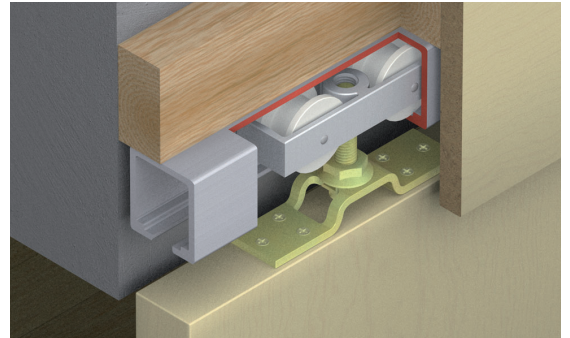


HAWA-JUNIOR 120 AND 120/B SLIDING DOOR SYSTEM

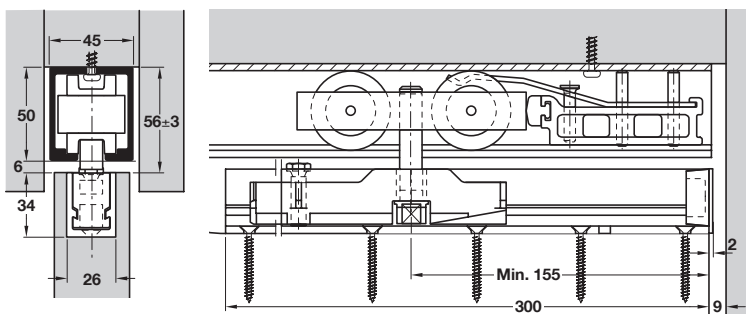
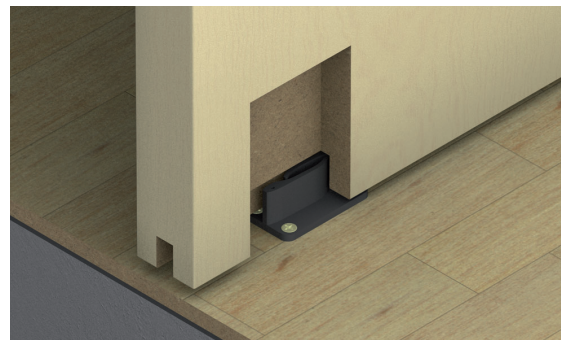
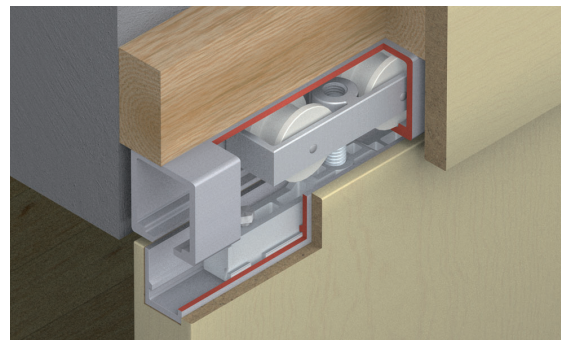
Exceptionally light and silent action. All parts are corrosion resistant. Ideal for heavier duty cavity applications. Junior 120/B suitable for low headroom applications.

Sliding Door Fittings for Architectural Applications: Sliding Interior Doors

- > HAWA-Junior 120
- > Range:
 - Max. door weight **120 kg**
 - Min. door thickness **35 mm**
 - Max. door height normally **2.5 m**
- > Height adjustment ± 3 mm
- > Installation drawing reference 17689

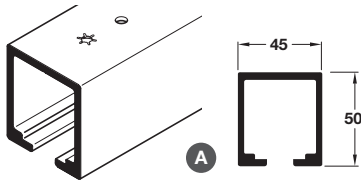


- > HAWA-Junior 120/B
- > For low and restricted headroom applications
- > Range:
 - Max. door weight **120 kg**
 - Min. door thickness **35 mm**
 - Max. door height normally **2.5 m**
- > Height adjustment ± 3 mm
- > Installation drawing reference 17689



> Tracks and fitting sets must be ordered separately, shown below and on page 45

HAWA-Junior 120 tracks



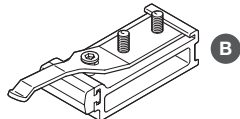
- > With screw holes for soffit fixing
- > Silver anodised aluminium
- > Two top tracks are mounted side by side for double or multiple doors
- > Order qty: 1 pc (2.5 or 3.0 m length)



> Top track side fixing profile is available, shown on page 43

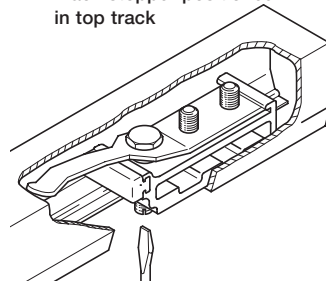
Length	2.5 m	3.0 m
Cat. No.	941.20.250	941.20.300

HAWA-Junior 120 and 120/B fitting sets

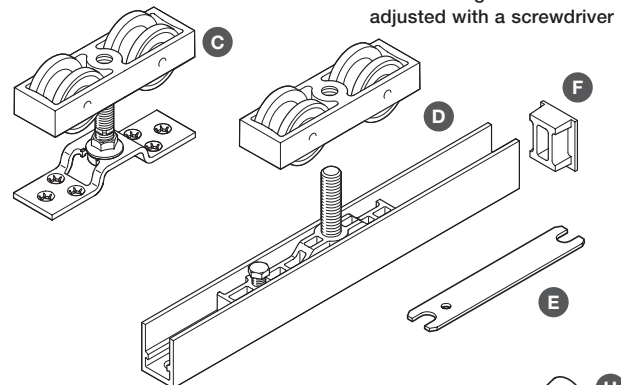


Track stopper positioned in top track

> If the sliding door is required to stop at both ends, we recommend installing an additional track stopper



The retaining force can be adjusted with a screwdriver



> Fitting sets, for one door

B Track stopper, 25 x 80 x 35 mm, for adjustable mounting in top track, zinc alloy housing, adjustable retaining force

C HAWA-Junior 120 trolley hanger, sleeve bearing mounted high-grade polyamide tandem rollers, 35 x 128 mm mounting plate, aluminium carriage, all parts are corrosion resistant, fixings included

D HAWA-Junior 120/B trolley hanger, sleeve bearing mounted high-grade polyamide tandem rollers, with 26 x 300 x 34 mm retainer profile and suspension plate, M12 hanger pendant and tension bolt, all parts are corrosion resistant, fixings included

E Locking wrench, for suspension profile

F Profile plugs, grey plastic

G Guide, rattle proof, for screw mounting to floor, black plastic, 24 x 60 x 34 mm

H Rubber buffer, Ø 19 x 10 mm, for screw fixing

> Order qty: 1 set

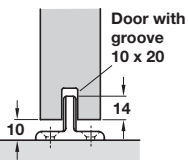
941.20.001 HAS BEEN REPLACED by 941.20.008
941.20.002 HAS BEEN REPLACED by 941.20.009



Fitting set for 1 door	Junior 120	Junior 120/B
B Track stopper	1 pc	1 pc
C Junior 120 trolley hanger	2 pcs	-
D Junior 120/B trolley hanger	-	2 pcs
E Locking wrench	-	1 pc
F Profile plugs	-	2 pcs
G Guide	1 pc	1 pc
H Rubber buffer	1 pc	1 pc
Cat. No.	941.20.008	941.20.009

Additional items

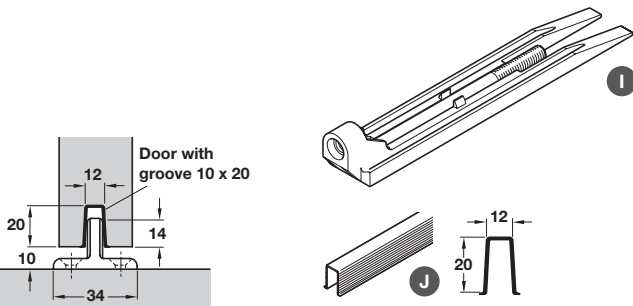
Item B	941.20.041
Item G	940.40.031



Door with groove 10 x 20

> Alternative light duty guiding with continuous aluminium channel also available, shown on page 47

HAWA-Junior 120/B accessories



Door with groove 10 x 20

> I Assembly wedge, for insertion in trolley hanger retaining profile, aluminium

> Order qty: 1 set (1 set required per door)

> J Bottom channel insert profile, 1.3 m, black plastic

> Order qty: 1 pc

Assembly wedge	
Item I	940.80.050
Bottom channel insert profile, 1.3 m	
Item J	940.41.130

> Assembly wedge required if the door is to be installed above the ceiling after the ceiling is complete (max. 5 mm). Also makes installation/removal easier if the top of the door is tight to the ceiling

> Not required for side fixed applications

PAGE AMENDED
16.04.18/1