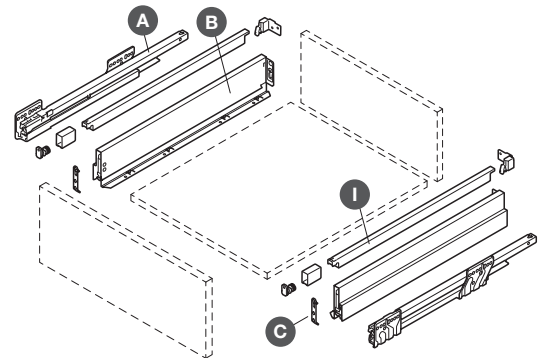


GRASS NOVA PRO SCALA RECTANGULAR RAILING

Rectangular gallery and divider rails for use with Nova Pro Scala to create pan drawers.

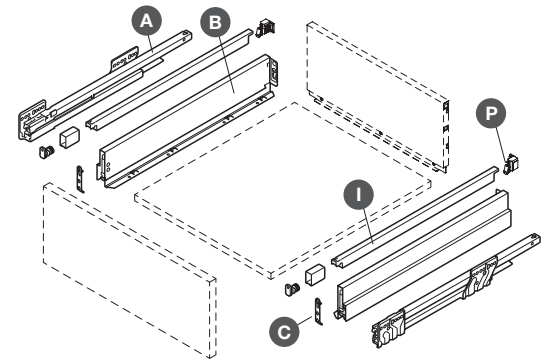


Rectangular railing, with rear clips for wooden back panel



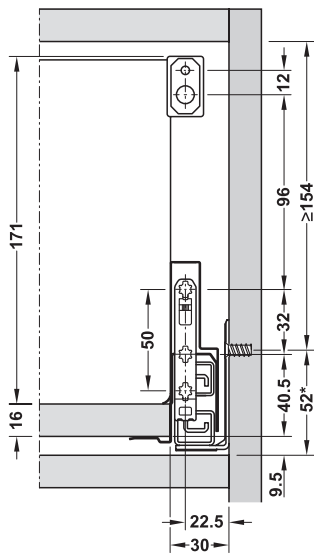
- A Drawer runners
- B Metal drawer sides
- C Installation hooks
- I Rectangular rails

Rectangular railing, with rear clips for steel back panel

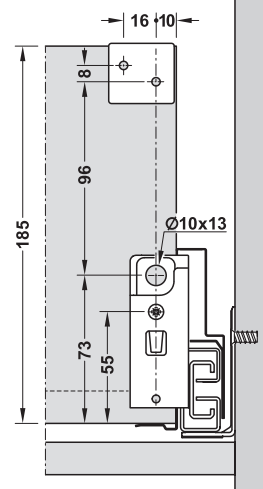


- A Drawer runners
- B Metal drawer sides
- C Installation hooks
- I Rectangular rails
- P Railing clip for steel back panel

Internal installation height

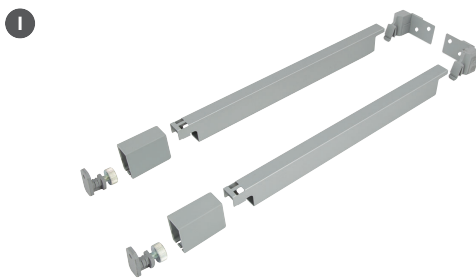


Rear wooden panel installation dimensions



* Min. dim. 49.5 mm, with Tipmatic Soft-close 58 mm
 Installation dimensions:
 Min. internal installation depth = nominal length + 3 mm

Grass Nova Pro Scala rectangular rail set



- > Set includes:
 - 2x Rectangular gallery rails
 - 2x Front railing brackets
 - 2x Rear railing brackets (for wooden backs only)
 - 2x Cover caps
 - Fixing screws
- > Order qty: 1 set

Length	Silver	Stone
270 mm	551.88.900	551.88.500
350 mm	551.88.902	551.88.502
400 mm	551.88.903	551.88.503
450 mm	551.88.904	551.88.504
500 mm	551.88.905	551.88.505

YOU ALSO NEED:

90 MM HIGH DRAWER SET
 Pages 136

RAILING CLIP FOR STEEL BACK PANEL
 Shown below

Grass Nova Pro Scala railing clip for steel back panel, clip-in



- > For use with rectangular divider rail I
- > Order qty: 1 pc

Finish	Silver	Stone
Left hand	551.91.981	551.91.581
Right hand	551.91.980	551.91.580



Order rectangular rail set above and discard rear railing brackets

PAGE AMENDED
02.05.17/2