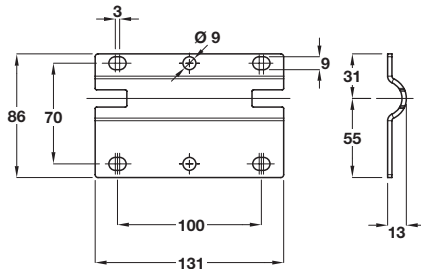


Atlas large wall plate



- > Steel/zinc alloy
- > Fixing bolts not included, order separately (subject to structure materials)
- > Order qty: 1 pc

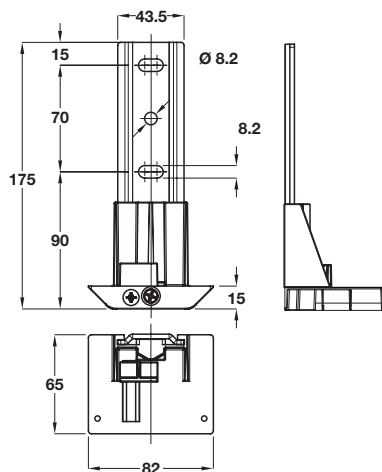


Finish	Cat. No.
Zinc-plated	290.24.915

Atlas lower support fitting, 32 mm



- > Steel/zinc alloy
- > Fixing bolts not included, order separately (subject to structure materials)
- > Order qty: 1 pc

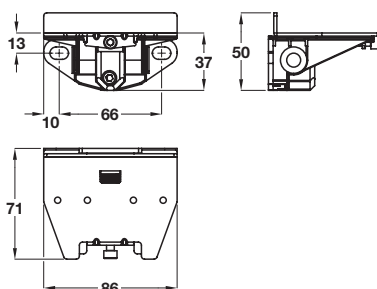


Finish	Cat. No.
Zinc-plated	290.15.940

Atlas lower support fitting, 2 mm



- > With frontal and vertical regulation
- > Steel/zinc alloy
- > Fixing bolts not included, order separately (subject to structure materials)
- > Order qty: 1 pc



Finish	Cat. No.
Zinc-plated	290.27.938

TCH DESIGN 2017. © Häfele U.K. Ltd 2017. Dimensional data not binding. We reserve the right to alter specifications without notice.