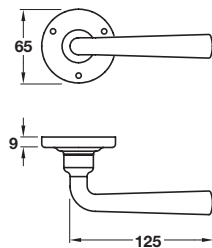


OLYMPIA lever handle on round rose



Note: ± 3 mm tolerance on non-critical dimensions and ±1 mm on hole centre dimensions

- > Pair of lever handles and roses
- > Sprung, for use with standard duty followers
- > Face fixing screws and 8 mm spindle included
- > To suit doors 35-44 mm thick
- > Solid pewter
- > Order qty: 1 pair

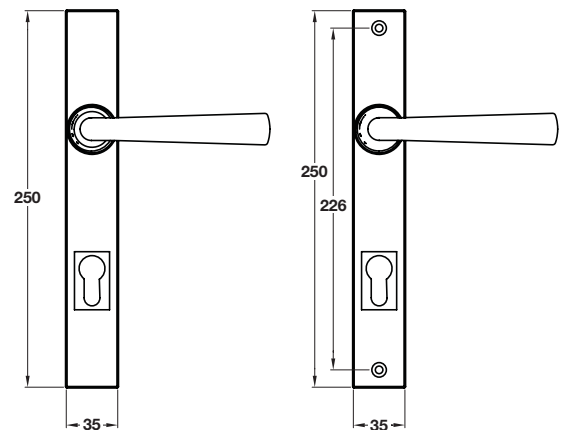


Finish	Cat. No.
Pewter	901.79.898

OLYMPIA lever handle on plate



Door entry multi-point lock version



Note: ± 3 mm tolerance on non-critical dimensions and ±1 mm on hole centre dimensions

- > Pair of lever handles on profile cylinder lock backplates
- > Unsprung, for use with heavy duty followers
- > 8 mm spindle and face fixings included
- > To suit multipoint locks with 92 mm lock centres
- > To suit doors 35-44 mm thick
- > Solid pewter
- > Order qty: 1 pair



Version	Pewter
Door entry, multi-point lock	901.79.904

YOU ALSO NEED:

MULTIPOINT LOCK
See online at www.hafele.co.uk

SUGGESTED EXAMPLE PRODUCTS
 Multipoint 3 point lock with hookbolt
 Backset/length: 45/2250 mm: 911.50.806
 Multipoint 3 point lock with latchbolt
 Backset/length: 45/2250 mm: 911.50.787
 Other backsets and lengths are available
 Cylinders and keeps also required