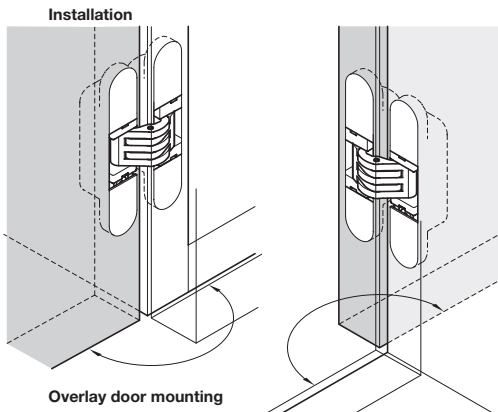


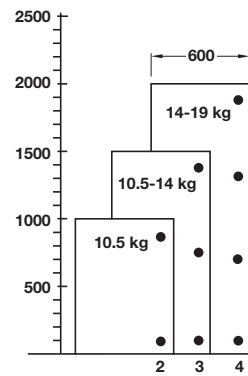
3D CONCEALED 180° CABINET HINGE



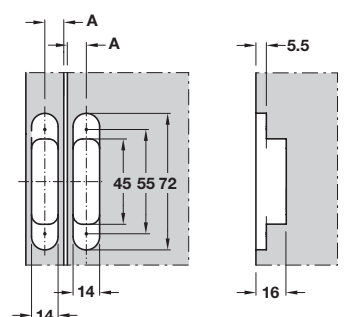
- > Opening angle 180°
- > For wood thickness from 18 mm
- > For screw fixing
- > For overlay or inset mounting
- > Adjustment:
 - Height ± 1.5 mm, side ± 1 mm, depth ± 1.5 mm (with overlay mounting)
 - Height ± 1.5 mm, side ± 1.5 mm, depth ± 1 mm (with inset mounting)
- > Supplied with 4x cover caps
- > Order fixing screws separately
- > Order qty: 1 pc



Note
Load bearing capacity table applies to hinged door applications only. Please enquire for other applications



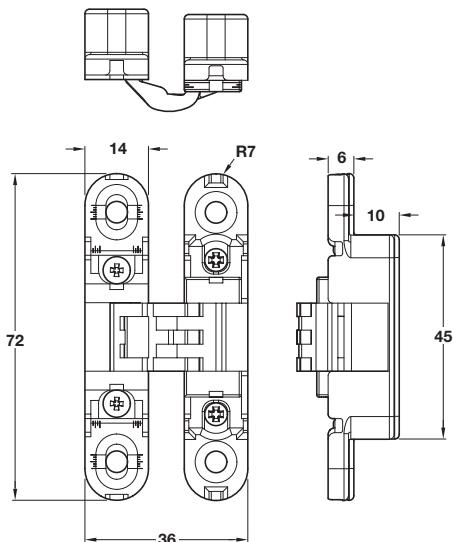
Drilling pattern



With wood thickness 18 mm: A = 9 mm
With wood thickness min. 20 mm: A = 10 mm

Sample measurements for 20 mm thick wood
Hinge distance min. 500 mm
Door width up to 600 mm
The door's width must not exceed its height

3D Concealed 180° cabinet hinge



Finish
Chrome plated matt hinge, grey cover caps



Cat. No.
341.24.415

PAGE AMENDED
20.10.16/1