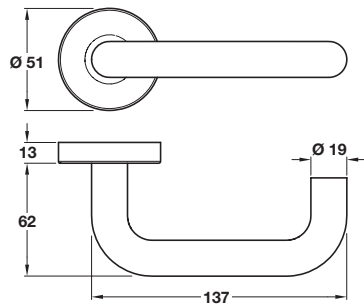
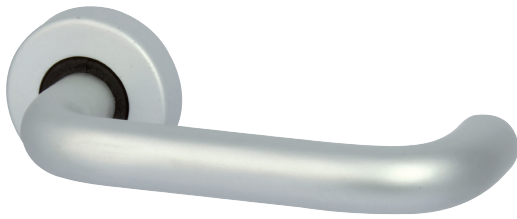


Ø 19 mm Contract aluminium safety lever handle



Note: ±3 mm tolerance on dimensions

- > Pair of lever handles on rose
- > 8 mm square spindle included
- > Sprung, for use with standard duty followers
- > To suit doors 35-44 mm thick
- > Aluminium
- > Order qty: 1 pair



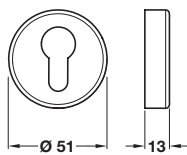
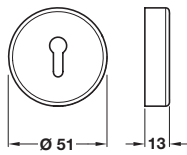
Satin anodised



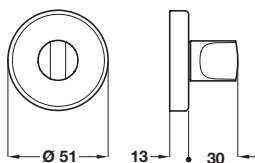
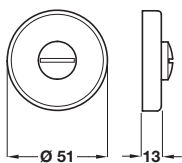
Finish
Satin anodised

Cat. No.
904.21.192

Contract aluminium lever handle accessories



WC set includes 5 mm spindle



Note: ±3 mm tolerance on dimensions

- > Escutcheons:
Aluminium
- > Order qty: 1 pair

- > WC/emergency release and inside turn:
To suit doors 35-44 mm thick
5 mm square spindle included
Aluminium
- > Order qty: 1 set



Satin anodised



Finish
Standard keyway escutcheon

Cat. No.

Satin anodised 904.51.472

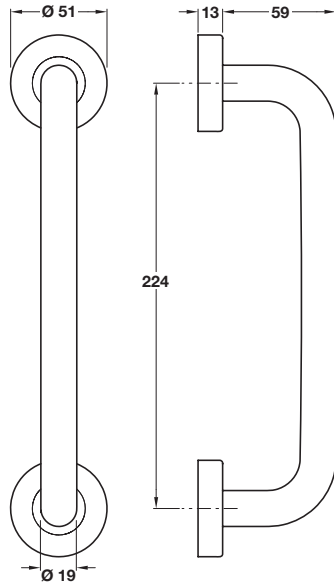
Euro profile cylinder escutcheon

Satin anodised 904.52.472

WC/emergency release and inside turn

Satin anodised 904.53.472

Contract aluminium pull handle, universal 225 mm



Note: ± 3 mm tolerance on dimensions

- > Single pull handle with roses
- > Bolt through fixing or face fixing with roses
- > To suit doors up to 44 mm thick
- > Aluminium
- > Order qty: 1 pc



Satin
anodised



Finish
Satin anodised

Cat. No.
905.01.010