

## SATIN ANODISED ALUMINIUM

Lever handles on backplates for latches and lever locks, including a 4 pair set of latches for contract work.

### CONTRACT lever handle on plate, satin anodised aluminium



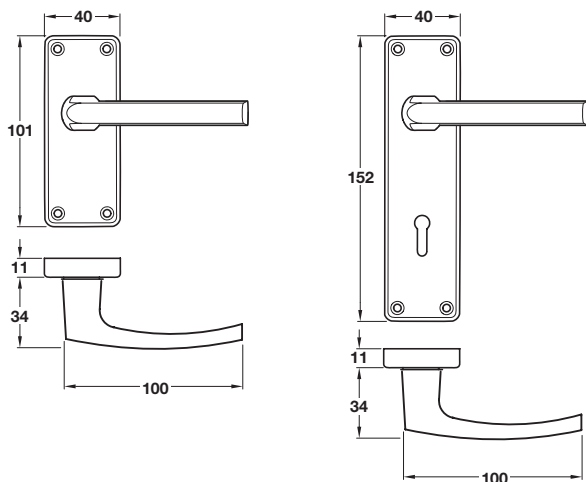
Backplates for latch



Backplates for lever lock, standard keyway



- > Pair of sprung lever handles on backplate
- > Sprung, for use with standard duty followers
- > To suit doors 35-44 mm thickness
- > 8 mm square spindle for lever operation
- > Aluminium
- > Order qty: 1 pair (1 set)



Note: ±3 mm tolerance on dimensions



Version	Satin anodised	Satin anodised
Qty	1 pair	4 pair set
<b>Backplates for latch</b>		
Cat. No.	905.99.015	905.99.017
<b>Backplates for lever lock</b>		
Cat. No.	905.99.019	-

## POLISHED ANODISED ALUMINIUM

Lever handles on backplates for latches and lever locks, including a 4 pair set of latches for contract work.

### CONTRACT lever handle on plate, polished anodised aluminium



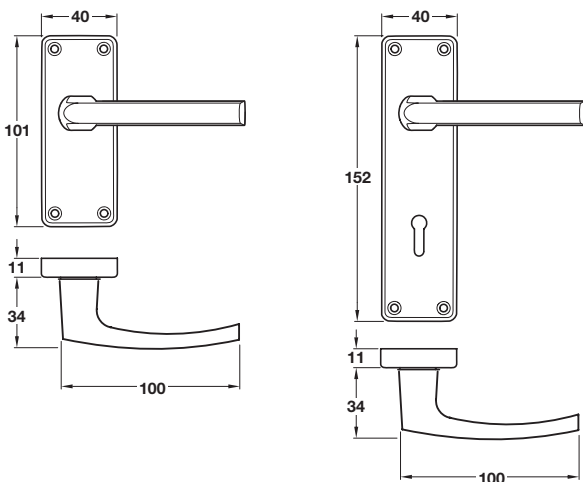
Backplates for latch



Backplates for lever lock, standard keyway



- > Pair of sprung lever handles on backplate
- > Sprung, for use with standard duty followers
- > To suit doors 35-44 mm thickness
- > 8 mm square spindle for lever operation
- > Aluminium
- > Order qty: 1 pair (1 set)



Note: ±3 mm tolerance on dimensions



Version	Polished anodised	Polished anodised
Qty	1 pair	4 pair set
<b>Backplates for latch</b>		
Cat. No.	905.99.014	905.99.016
<b>Backplates for lever lock</b>		
Cat. No.	905.99.018	-