

FQ55FX

84cm Two Door & Two Drawer Refrigerator-Freezer, Finger Friendly Stainless Steel Effect
Energy rating: A+

EAN13: 8017709162450

ONLY AVAILABLE FROM SELECTED DEALERS

Contact the Smeg UK info line on 0844 5579907 to find your nearest stockist

- Gross capacity: 600 litres
- Aluminum handles
- Power saving mode
- Economy mode

Refrigerator

- Fresh Food capacity: 396 litres
- Extra Fresh Zone
- 4 drawers with humidity controls
- 3 glass shelves
- LED interior lighting
- Active Fresh Blue Light
- Acoustic temperature alarm

Freezer (Four stars)

- Frozen Food capacity: 154 litres
- Fast freezing function
- 2 drawers
- Acoustic temperature alarm

Completely frost-free

- Energy consumption: 458 kWh / year
- Climate class: SN-T
- Freezing capacity: 5 kg/24h
- Thaw time: 22 hrs
- Noise level: 44 dB (A) re 1 pw



Key to symbols



Smeg (UK) Limited
3 Milton Park, Abingdon
Oxon OX14 4RN
Tel. +44 (0)844 557 9907
Fax +44 (0)844 557 9337



A+:

Smeg products with A+ or A++ energy rating are highlighted with one of the following Symbols



Frost free:

The No Frost and Frost free systems prevent ice from forming so that no defrosting is required.



Power saving mode:

The power saving mode allows you to disable the refrigerator and keep the freezer working.



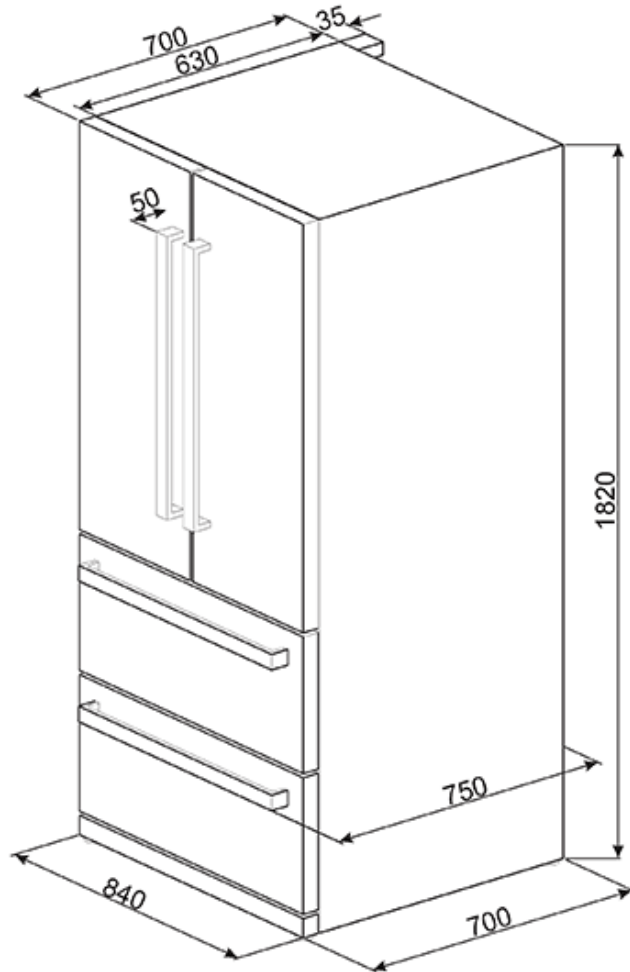
Fast freezing:

The fast freezing function brings the temperature of the compartment down when activated a few hours prior to usage.



FQ55FX

fridge freezer
free standing
two doors
stainless steel
84 cm
energy rating A+



Smeg (UK) Limited
3 Milton Park, Abingdon
Oxon OX14 4RN
Tel. +44 (0)844 557 9907
Fax +44 (0)844 557 9337