

## KD150XE Available soon

### classic

150cm St/Steel "Opera" Chimney Hood

EAN13: 8017709221720

- Energy rating: A+
- 1 motor, 275 W
- 3 speeds + Intensive speed
- 5 Stainless steel grease filters (dishwasher safe)
- 4 x 5W LED lights
- Internal re-circulation possible
- Non return valve
- Vent outlet Ø 150 mm
- Nominal power : 284W

Speed	I	II	III	IV
Extraction Rate IEC 61591	334	439	567	788
Noise Level dB(A) IEC 60704-2-13	50	57	63	70

NB: This model supersedes the KD150X-2

### Functions



### Options

- **FLT6** - Charcoal filter
- **SP150** - Simple ducting kit (150mm wide)
- **SP150FLAT** - Comprehensive ducting kit (150mm wide)





**Lights:**

All cooker hoods feature lights to illuminate the cooking area or add to the ambience of the kitchen.



**Filters:**

Model has filters to help remove grease from the steam emanating from the pans during cooking.



**Charcoal filters:**

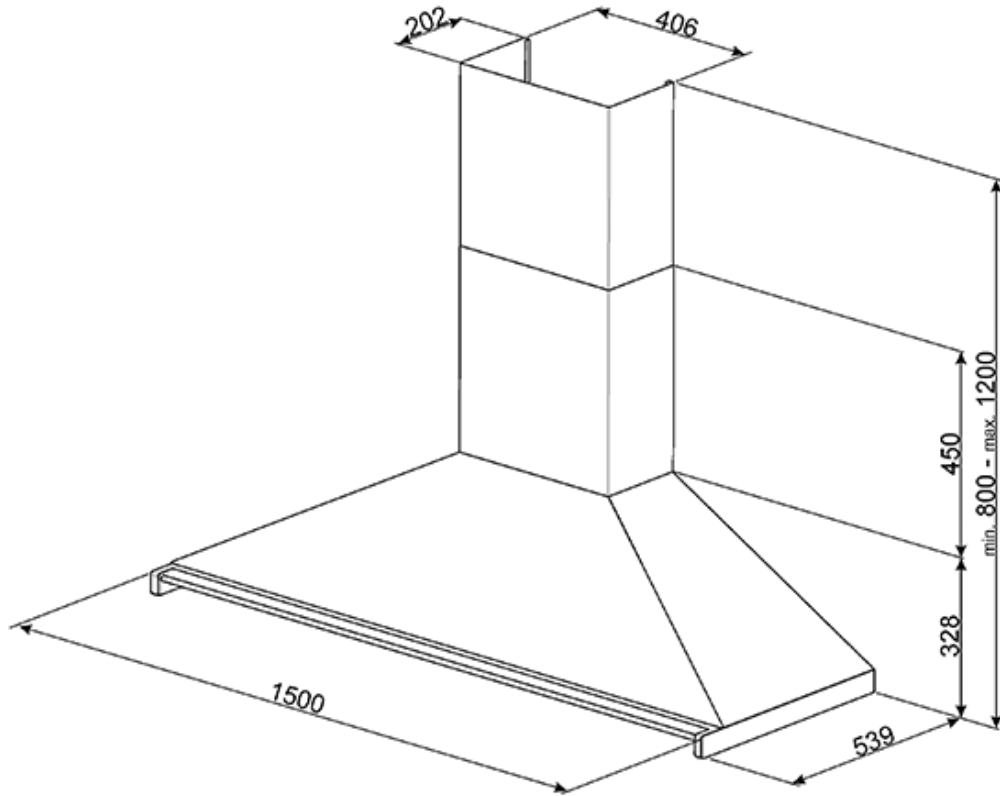
Extracting through charcoal filters or directly to the exterior lessens strong cooking odours considerably.



# KD150XE

classic

150 cm  
stainless steel  
chimney hood  
min noise level < 50dB (A)



Smeg (UK) Ltd  
The Magna Building, Wyndyke Furlong, Abingdon  
OX14 1DZ  
Tel. +44 (0)844 557 9907  
Fax +44 (0)844 557 9337