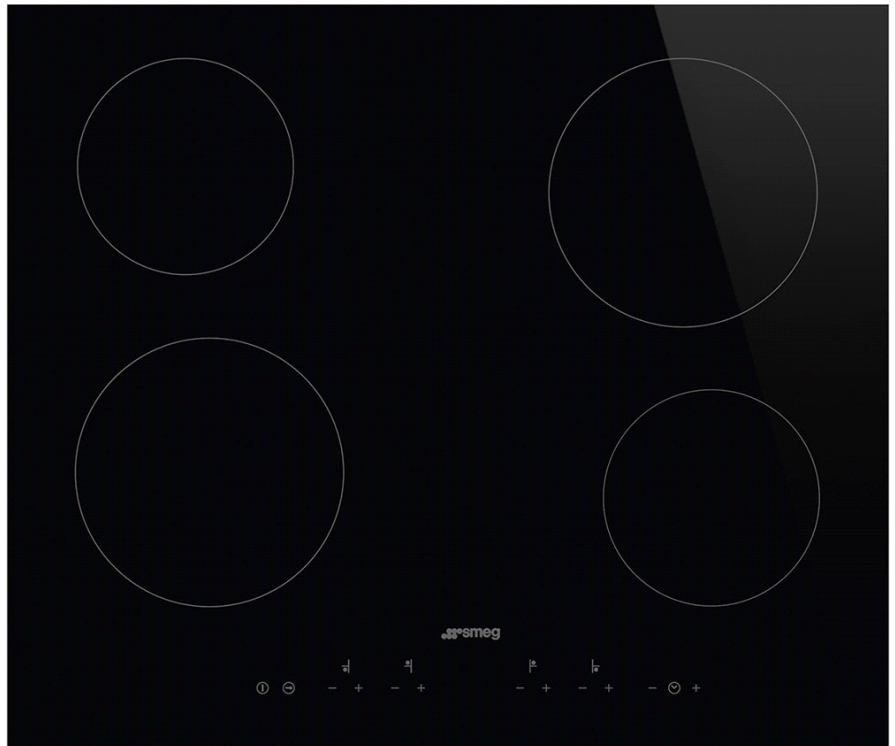


## SE364TD New product

60cm Touch Control Ceramic  
Hob with Straight Edge Glass

EAN13: 8017709234720

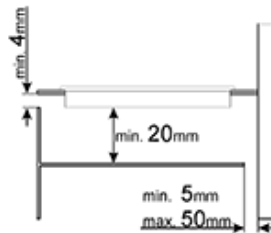
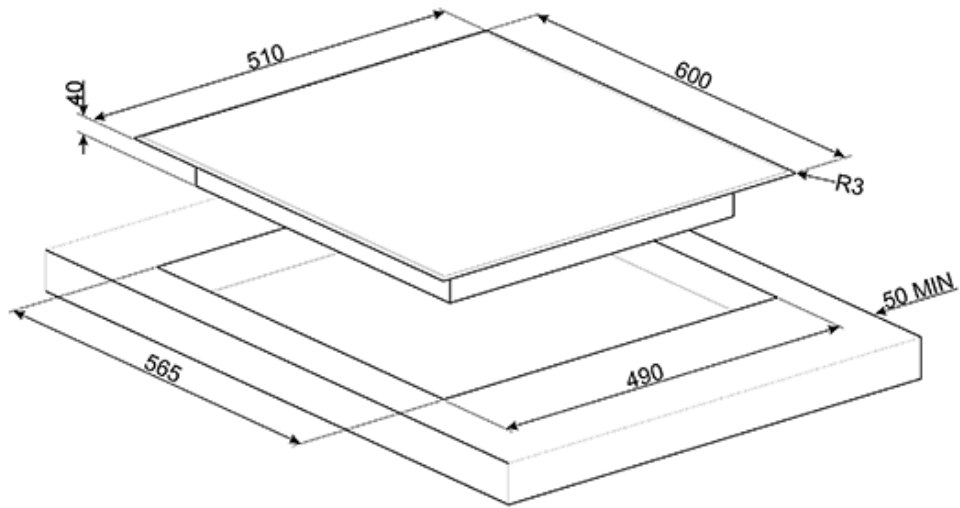
- 4 "High-light" radiant cooking zones
- Rear Left: Ø 148mm, 1.20 kW
- Front Left : Ø 184mm, 1.80 kW
- Rear Right : Ø 184mm, 1.80 kW
- Front Right : Ø 148mm, 1.20 kW
  
- Black ceramic glass
- 9 power levels
- End of cooking acoustic alarm
- Quick start
- Keep warm automatic function
- Residual heat indicators
- Ecologic – Energy saving option
- Child safety lock
- Automatic safety cut-out
  
- Nominal power: 6.00 kW





# SE364TD

ceramic hob  
60 cm  
black  
touch control



Smeg (UK) Ltd  
The Magna Building, Wyndyke Furlong, Abingdon  
OX14 1DZ  
Tel. +44 (0)844 557 9907  
Fax +44 (0)844 557 9337