

## SE60SGH3

### classic

60cm "Classic" gas hob, with Cast Iron Pan Stands

EAN13: 8017709112059

- 4 burners in "diamond" configuration
- Left : Rapid Burner 3.10 kW
- Front : 1.05 kW
- Rear : 1.65 kW
- Right: 2.55 kW
- St/steel base
- St/steel knobs
- Cast Iron pan stands
- Black burner caps
- Automatic electronic ignition
- Safety valves
- Adaptable for LPG



### Functions

---





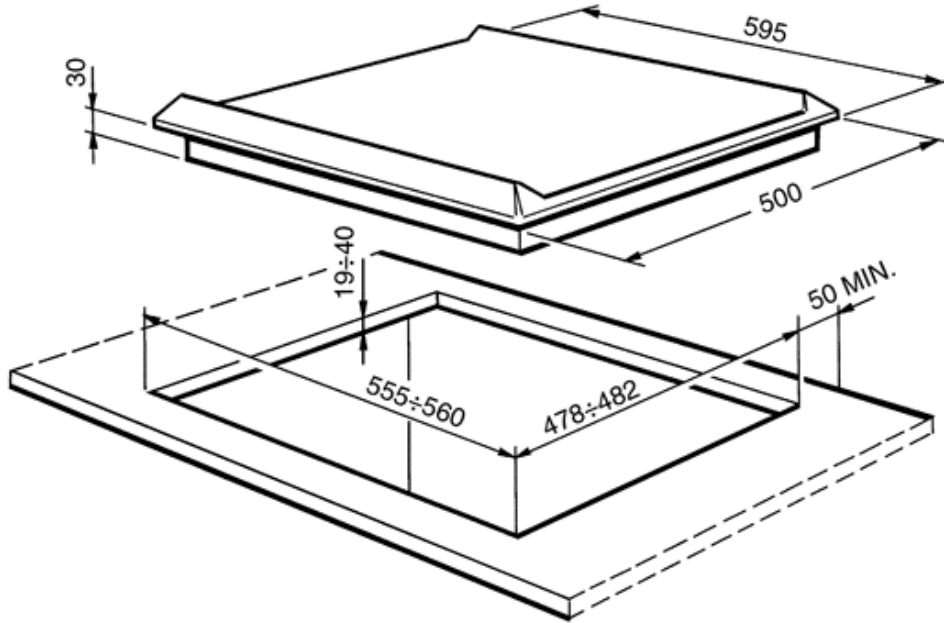
**Heavy duty cast iron pan stands:**  
for maximum stability and strength.



# SE60SGH3

classic

gas  
60 cm  
stainless steel  
cast iron pan stands



Smeg (UK) Limited  
3 Milton Park, Abingdon  
Oxon OX14 4RN  
Tel. +44 (0)844 557 9907  
Fax +44 (0)844 557 9337