

SI3842B

77cm Touch Control Induction Hob with Angled Edge Glass

EAN13: 8017709161439

4 "full power" induction zones

- Front centre: ø 280/100mm, 2.6kW - booster 3.7kW
- Rear left: ø 145/100mm, 1.4kW - booster 2.2kW
- Rear right: ø 180/100mm, 1.8kW - booster 3.0kW
- Front right: ø 180/100mm, 1.8 kW - booster 3.0kW

- "Suprema" black ceramic glass
- 4 independent boosters(P)
- Individual timers for each zone
- 9 power levels
- Visual display to show power level/residual heat/

countdown cooking time

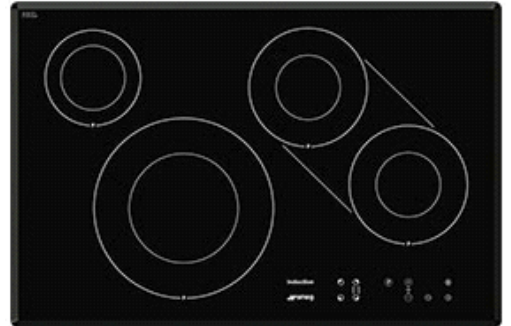
- End of cooking acoustic alarm
- Automatic safety cut out
- Child safety lock

Nominal power: 7.4 kW

Power supply required: dedicated circuit fused at 30 Amp, or a 32 Amp circuit breaker

NB: This model replaces the SE2842ID3

NB: only pans with a ferrous (magnetic) base are suitable for induction hobs.



Functions





Timer:

All ceramic hobs have a timer which automatically ends cooking after a preset time.



Child lock:

some models are fitted with a device to lock the programme/cycle so it cannot be accidentally changed.



Touch controls:

Easy to use touch controls allow the appliance to be programmed at the touch of a button.



Time elapsed:

shows how long the cooking zone has been in use



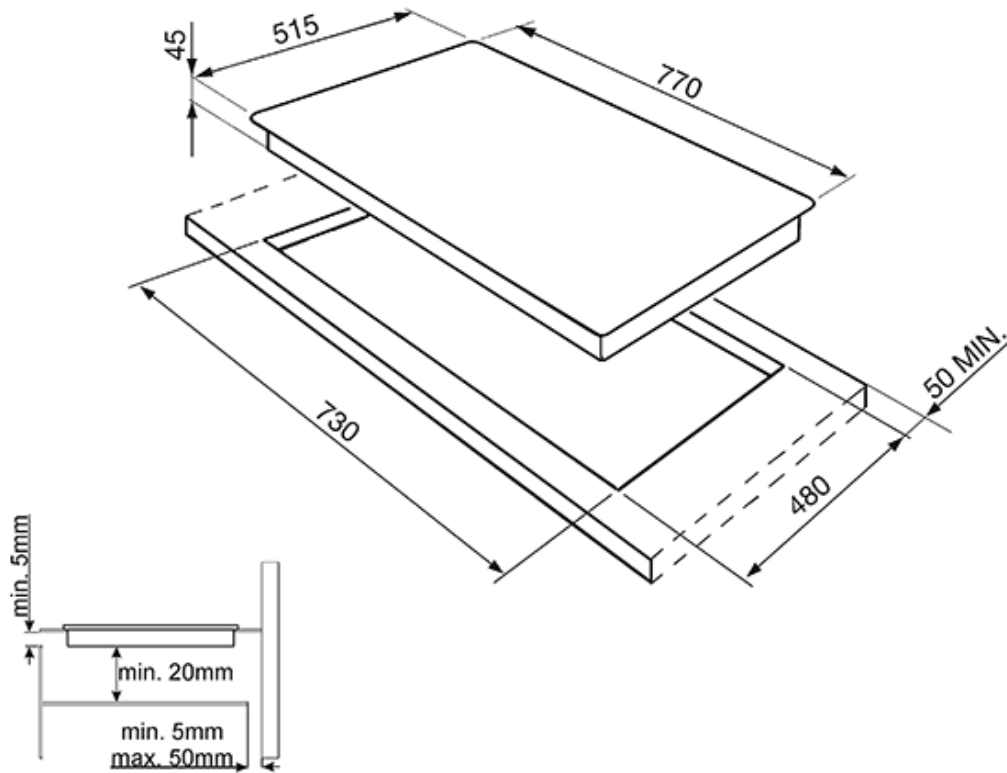
Power booster:

option allows the zone to work at full power when very intense cooking is necessary.



SI3842B

induction
77 cm
black
touch control



Smeg (UK) Limited
3 Milton Park, Abingdon
Oxon OX14 4RN
Tel. +44 (0)844 557 9907
Fax +44 (0)844 557 9337