

## UKC3170P1

Integrated In Column Combined Fridge & Freezer,  
Energy Efficiency Class: A+

EAN13: 8017709253615

- Gross capacity: 269 litres
- Sliding rail fitting
- Reversible doors
- Noise level: 36 dB(A) RE 1 pw

### REFRIGERATOR

- Fresh food capacity: 160 litres
- 2 adjustable glass shelves
- 1 glass fruit and vegetable cover
- 2 fruit and vegetable drawers
- Comprehensive door storage
- LED light

### FREEZER

- 4 star rating
- Frozen food capacity: 106 litres
- 4 drawers
- Energy consumption: 293 kWh per year
- Climate class: SN-ST
- Freezing capacity: 4kg/24h
- Thaw time: 22h

Metal rear panel material : Flame Retardant Polypropylene & Aluminium Foil back



### Key to symbols



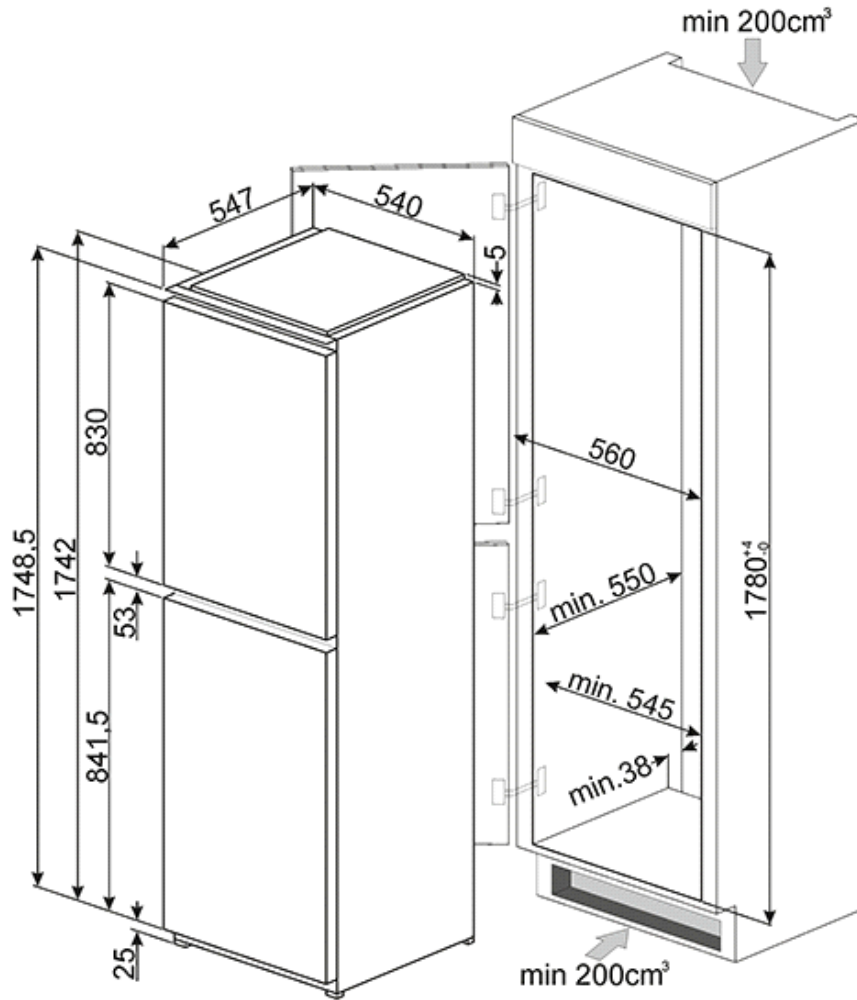


Smeg products with A+ or A++ energy rating are highlighted with one of the following Symbols



# UKC3170P1

fridge freezer  
built-in  
built-in  
54 cm  
energy rating A+



Smeg (UK) Ltd  
The Magna Building, Wyndyke Furlong, Abingdon  
OX14 1DZ  
Tel. +44 (0)844 557 9907  
Fax +44 (0)844 557 9337