

UKS3C090P1

In Column Fridge with Ice Box
Energy Efficiency Class A+

EAN13: 8017709253479

- Gross capacity: 129 litres
- Sliding rail fitting
- Reversible door
- Noise level: 38 dB(A) RE 1 pW

REFRIGERATOR:

- Fresh food capacity: 112 litres
- 2 adjustable glass shelves
- 1 fruit and vegetable cover
- 1 fruit and vegetable drawer

FREEZER: 4 Stars

- Frozen food capacity: 15 litres
- Energy efficiency class: A+
- Energy consumption: 189 kWh per year
- Climatic class: SN-ST
- Freezing capacity: 2kg/24h
- Thaw time: 12h

Metal rear panel material : Flame Retardant Polypropylene & Aluminium Foil back



Key to symbols



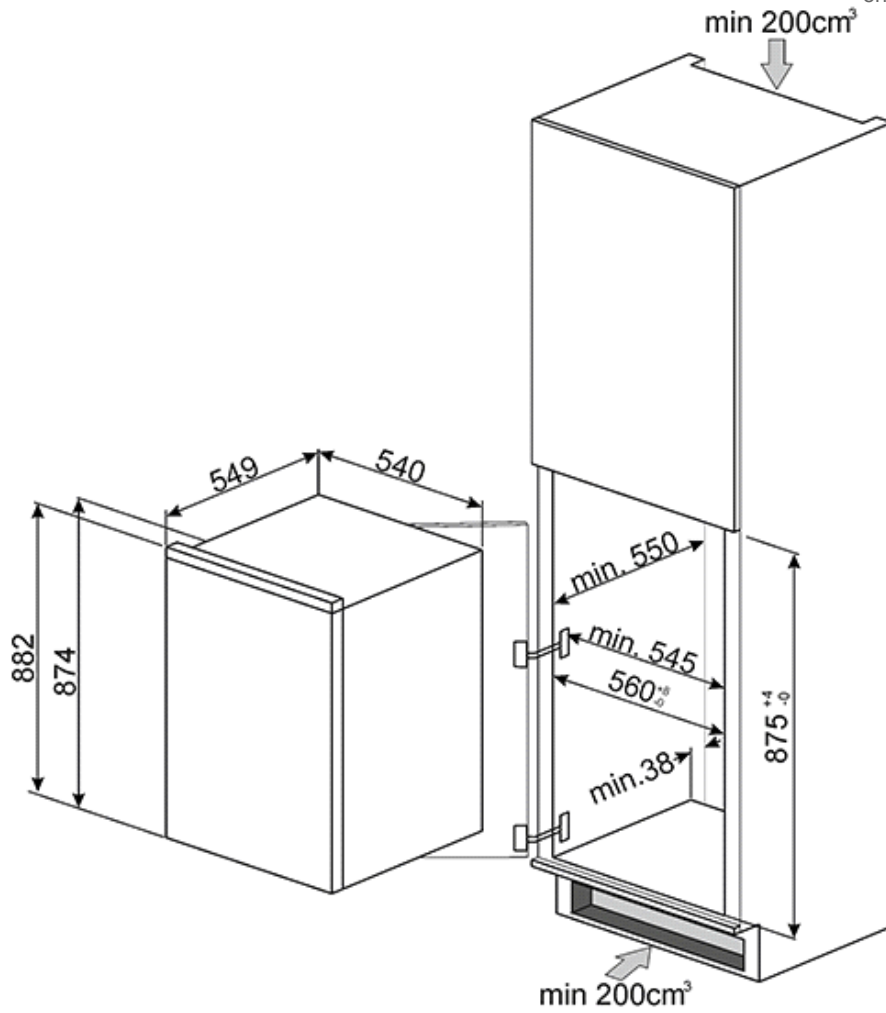


Smeg products with A+ or A++ energy rating are highlighted with one of the following Symbols



UKS3C090P1

fridge freezer
built-in
built-in
54 cm
energy rating A+



Smeg (UK) Ltd
The Magna Building, Wyndyke Furlong, Abingdon
OX14 1DZ
Tel. +44 (0)844 557 9907
Fax +44 (0)844 557 9337