

UKS3L090P

In Column Larder Refrigerator
Energy Efficiency Class A+

EAN13: 8017709210786

- Gross capacity: 147 litres
- Reversible door
- Noise level: 38 dB(A) RE 1 pW
- Fresh food capacity: 146 litres
- 3 Adjustable glass shelves
- 1 Fixed glass shelf
- 1 Fruit & vegetable drawer
- Energy consumption: 123 kW/h per year
- Climatic class: SN-T

Key to symbols





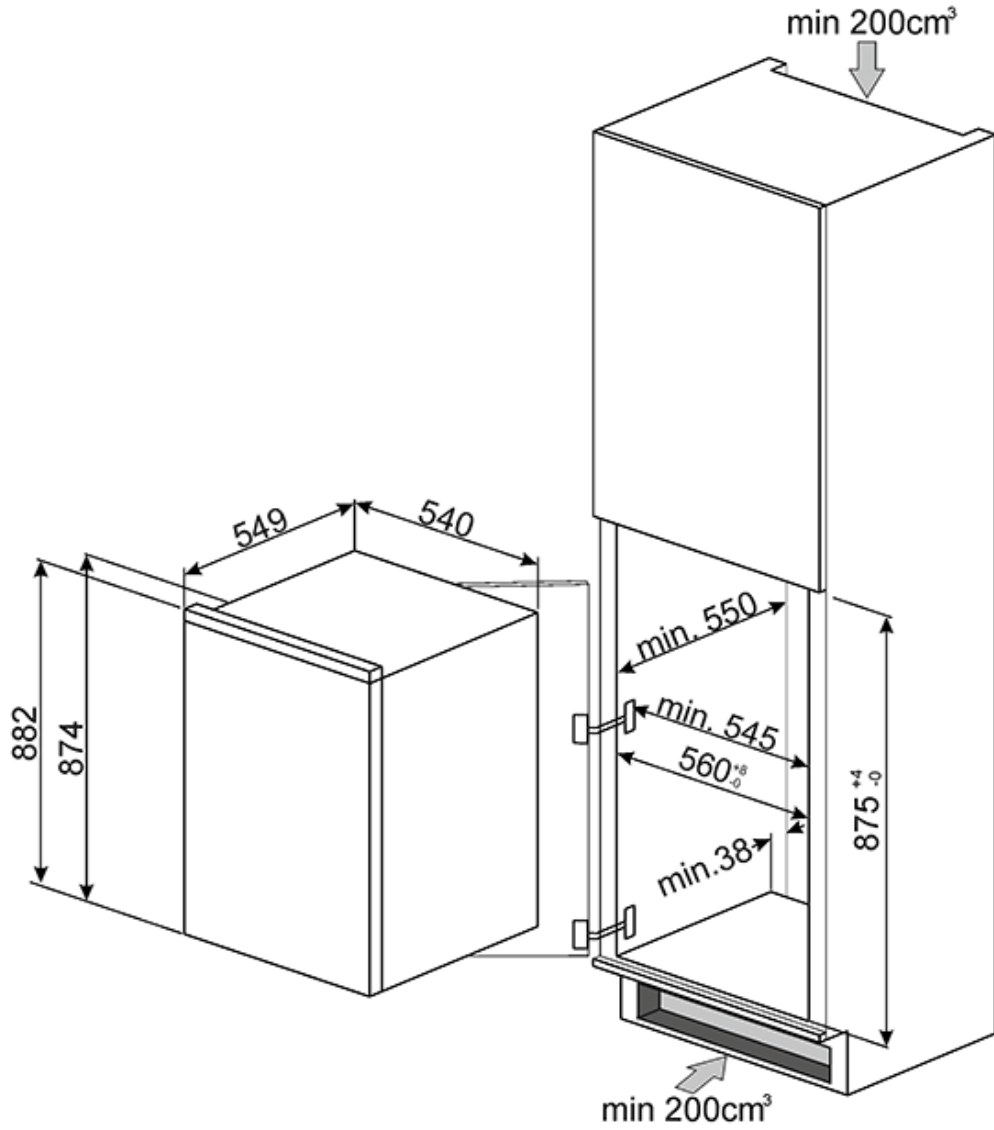
A+:

Smeg products with A+ or A++ energy rating are highlighted with one of the following Symbols



UKS3L090P

fridge
built-in
54 cm
energy rating A+



Smeg (UK) Ltd
The Magna Building, Wyndyke Furlong, Abingdon
OX14 1DZ
Tel. +44 (0)844 557 9907
Fax +44 (0)844 557 9337