

UKS7220FNDP1 New product

In Column Freezer
Energy Efficiency Class A+

EAN13: 8017709260088

- Gross capacity: 220 litres
- Sliding rail fitting
- Reversible doors
- LCD display
- Noise level: 39 dB (A) RE 1 pW

New interior with Silver Trims

FREEZER

Completely No Frost

- Frozen food capacity: 208 litres
- Fast freezing compartment
- 5 drawers
- 2 shelves with flaps
- Energy efficiency class: A+
- Energy consumption: 306 kWh/year
- Climatic class: SN-T
- Freezing capacity: 20 kg/24h
- Thaw time: 24 h

Rear panel material : Flame Retardant Aluminium Foil back

NB: This model supersedes the S7220FNDP

Key to symbols





A+ A++:

Smeg products with A+ or A++ energy rating are highlighted with one of the following Symbols



No Frost:

The No Frost and Frost free systems prevent ice from forming so that no defrosting is required.



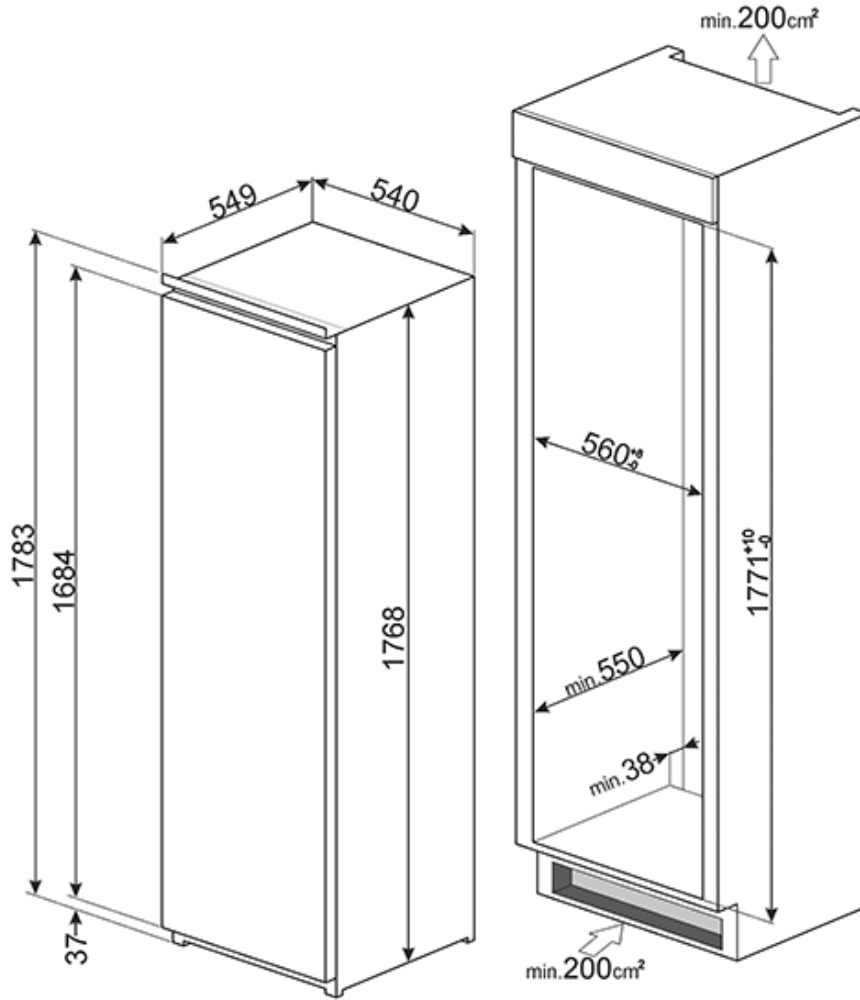
Fast freezing:

The fast freezing function brings the temperature of the compartment down when activated a few hours prior to usage.



UKS7220FNDP1

freezer
built-in
built-in
55 cm
energy rating A+



Smeg (UK) Ltd
The Magna Building, Wyndyke Furlong, Abingdon
OX14 1DZ
Tel. +44 (0)844 557 9907
Fax +44 (0)844 557 9337