

## WHT1114LSIN New product

Free-standing Washing Machine in White & Silver  
Energy rating A+++B

EAN13: 8017709209490

The promotion, which includes parts and labour, runs until 30th June 2019. It applies to selected 60cm freestanding laundry appliances (excludes 50's style model) WHT1114LSIN, WHT914LSUK, DHT81LUK. Terms and conditions apply. Offer available from selected displaying retailers only. [For full terms and conditions please click here](#)



- Electronic display panel includes 24h delay timer, time to end, spin regulation, temp regulation, and recommended load.
- Buttons/Options: Delay timer/ Prewash/ Additional rinse/ No spin/ Rinse hold/ Easy iron/ Steam/ cold wash
- Electronic display shows programme selected and progression
- 16 washing programmes including
- Special programmes; Hand wash, Duvet, Quick 14mins, Curtains, Wool (wool cycle has been approved by 'The woolmark company' M14120).
- Variable spin speed up to 1400rpm
- Max washing capacity: 11Kg dry laundry
- St/steel drum and polypropylene tank
- Extra large 340mm porthole
- Automatic variable load
- Aquastop pipe
- Child lock (programme lock)
- Direct motion motor
- Brushless/Inverter motor
- Depth: 630mm

Consumption: (220 cycles)

- Water: 13200 litres/per annum
- Energy: 233 kWh/per annum
- Noise level washing phase: 59 dB (A) 1 re pW
- Noise level spinning phase: 76 dB (A) 1 re pW
- Energy efficiency class: A+++ (-10%)
- Spin drying performance: B

Dimensions:

- W 600 x D 630 x H 840mm





## WHT1114LSIN

washing machine  
free standing  
60 cm  
white  
energy rating A+++B  
spin speed: 1400

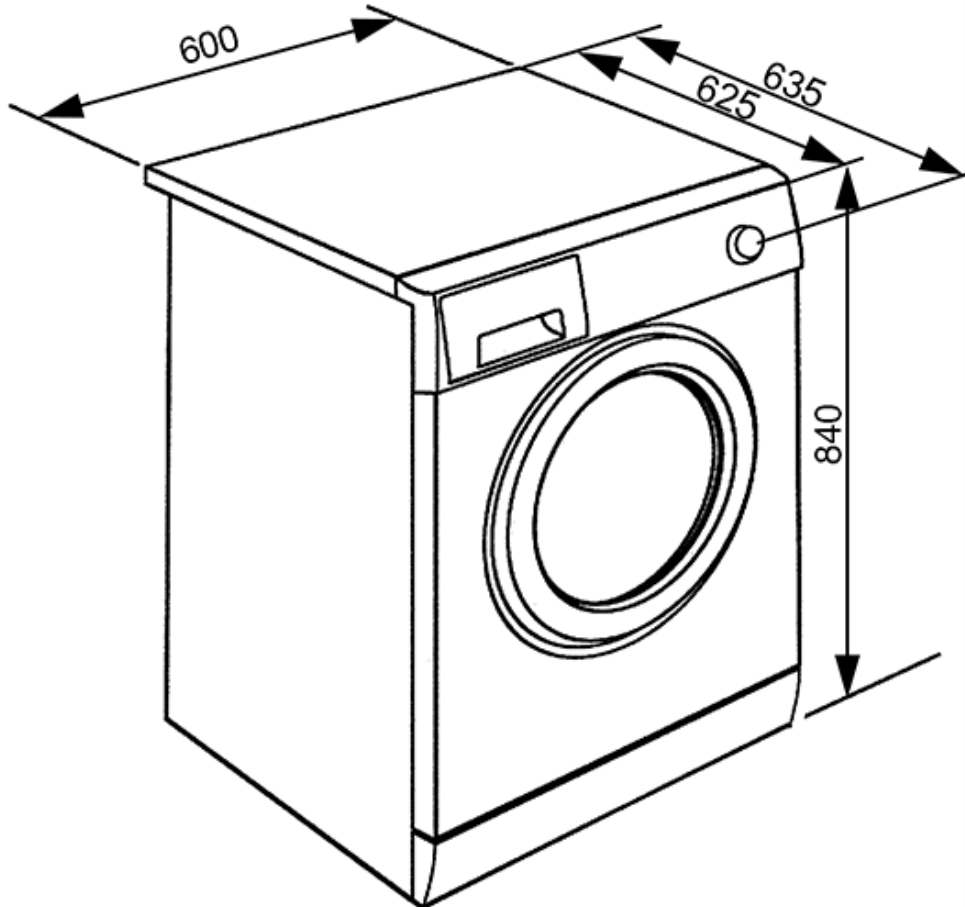


Smeg (UK) Ltd  
The Magna Building, Wyndyke Furlong, Abingdon  
OX14 1DZ  
Tel. +44 (0)844 557 9907  
Fax +44 (0)844 557 9337



## WHT1114LSIN

washing machine  
free standing  
60 cm  
white  
energy rating A+++B  
spin speed: 1400



Smeg (UK) Ltd  
The Magna Building, Wyndyke Furlong, Abingdon  
OX14 1DZ  
Tel. +44 (0)844 557 9907  
Fax +44 (0)844 557 9337