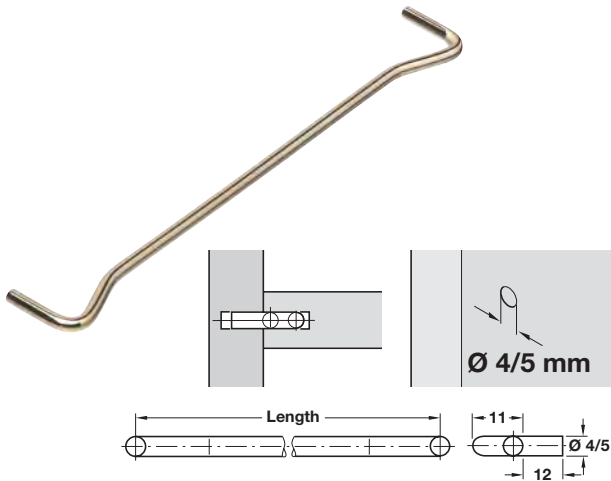


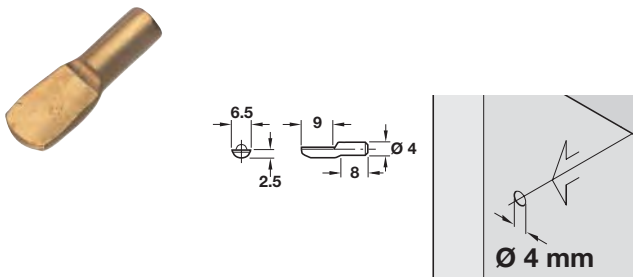
**Swedish type shelf support, plug in, for Ø 4/5 mm holes**



- > Plugs into two drill holes
- > For Ø 4 mm or Ø 5 mm holes
- > Provides invisible mounting for grooved shelf
- > Nickel-plated steel wire
- > Order qty: Multiples of 10 pcs

Length	Ø 4 mm	Ø 5 mm
160 mm	282.72.700	282.73.707
224 mm	282.72.719	282.73.716
320 mm	282.72.728	282.73.725

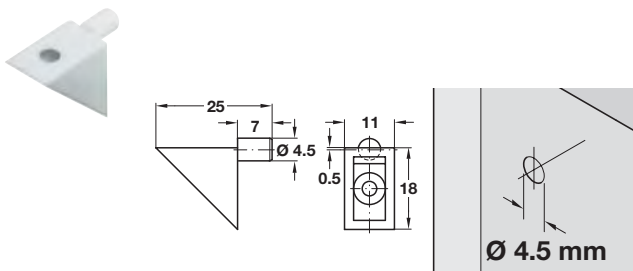
**Shelf support, plug in, for Ø 4 mm holes**



- > Spoon shaped
- > For Ø 4 mm hole
- > Load carrying capacity 60 kg\*
- > Steel
- > Order qty: Multiples of 100 pcs

Finish	Brass-plated	Nickel-plated
Cat. No.	282.04.506	282.04.702

**Shelf support, plug in, for Ø 4.5 mm holes**

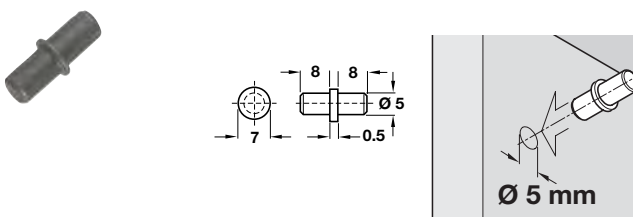


- > Provides additional screw-fixing of side panel and shelf
- > For Ø 4.5 mm hole
- > Plastic
- > Order qty: Multiples of 100 pcs



Finish	Cat. No.
White	283.50.709

**Shelf support, plug in, for Ø 5 mm holes**



- > With collar
- > For Ø 5 mm hole
- > Load carrying capacity 80 kg\*
- > Steel
- > Order qty: Multiples of 100 pcs

Finish	Bronzed	Bright galvanized
Cat. No.	282.43.101	282.43.905



\*Load carrying capacity applies to 4 shelf supports bearing an evenly distributed load. Testing was carried out according to DIN EN 1727: 1998-06 "Mechanical safety requirements for shelf supports"