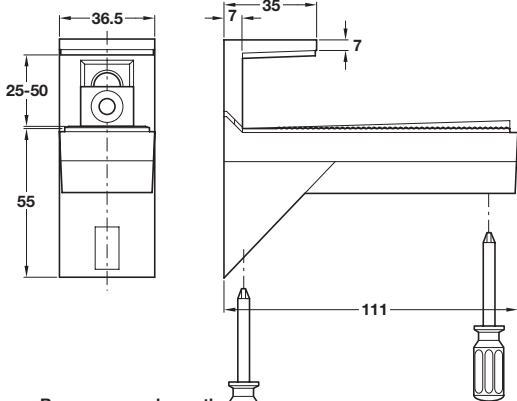




Kalabrone Maxi shelf support for glass and wooden shelves



- > Adjustable shelf support
- > For 25-50 mm shelf thickness
- > Special fixing method for fine adjustment of bracket height to ensure shelves are level
- > Shelf clamped between a layer of ridged plastic on the lower side and soft rubber on the upper side
- > Load capacity: 25 kg for a shelf 320 mm deep
- > These shelf supports can be spaced every 400-500 mm, depending on the use, load, material and thickness of the shelf
- > Engineering plastic is a high quality plastic with good strength and weight qualities
- > Zinc alloy and engineering plastic
- > Order qty: 1 pair



Rear screw underneath shelf support clamps shelf securely in place

Easy adjustment of front to back shelf angle using front screw underneath shelf support



Finish	Cat. No.
Polished chrome	284.09.231
Satin nickel	284.09.031
Silver coloured	284.09.931

KITCHEN ACCESSORIES 2015, © Hafele U.K. Ltd 2015. Dimensional data not binding. We reserve the right to alter specifications without notice.