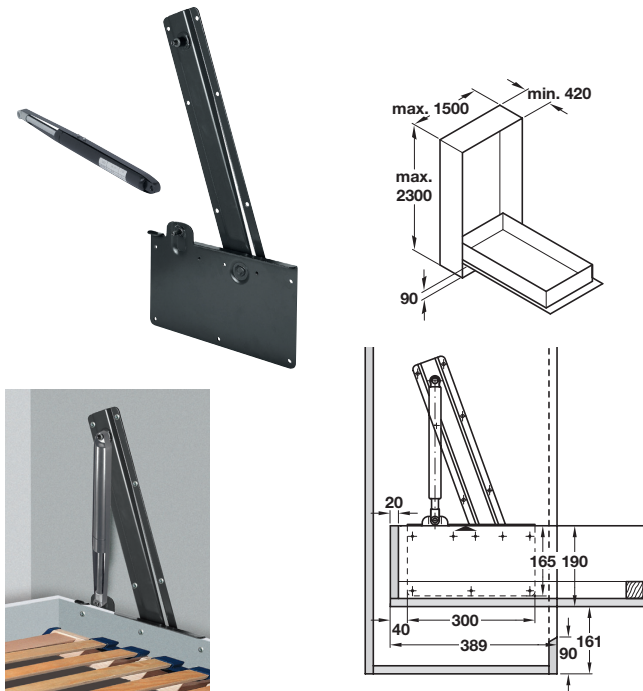


### Bed fitting set



- > For construction of foldaway beds according to customers own requirements
- > Bed fitting set includes:
  - 1x Pair folding fittings with pivot bearings and positioning bolts for gas pistons
  - 2x Securing brackets
  - Fixing materials and detailed installation instructions
- > Powder coated steel
- > Order qty: 1 set/pc

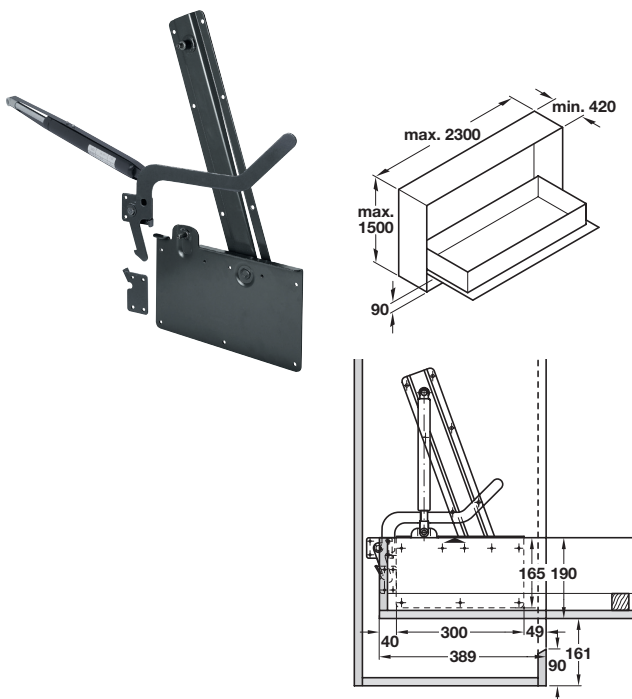


Bed fitting set	Cat. No.	
Anthracite (RAL 9011)	271.95.203*	
Gas piston	Cat. No.	
Bed weight	Pushing force	
50 kg	900 N	271.99.220
60 kg	1100 N	271.99.266
70 kg	1300 N	271.99.300
80 kg	1500 N	271.99.346
90 kg	1700 N	271.99.382
100 kg	1900 N	271.99.410



Gas pistons must be ordered separately depending on the weight of the bed. 2 gas pistons are required per bed fitting

### Bed fitting set



- > Side mounted foldaway beds according to customers own requirements
- > Bed fitting set includes:
  - 1x Pair folding fittings with pivot bearings and positioning bolts for gas pistons
  - 2x Securing brackets
  - 1x Safety lever with stop plate
  - Fixing materials and detailed installation instructions
- > Powder coated steel
- > Order qty: 1 set/pc



Bed fitting set	Cat. No.	
Anthracite (RAL 9011)	271.95.204*	
Gas piston	Cat. No.	
Bed weight	Pushing force	
40 kg	400 N	271.99.122
50 kg	500 N	271.99.140
60 kg	600 N	271.99.168
80 kg	800 N	271.99.202



Gas pistons must be ordered separately depending on the weight of the bed. 2 gas pistons are required per bed fitting



- > Bed weight is total weight including bed, mattress and bedding
- > It is essential for foldaway beds to be secured against tipping according to EN 1129. Floors should be checked for suitability. 2x securing brackets are included with each set



securing bracket