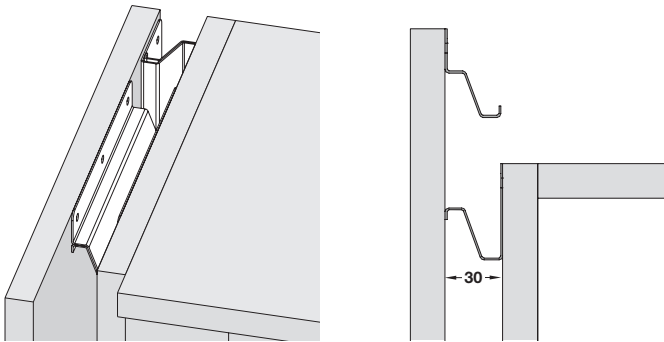


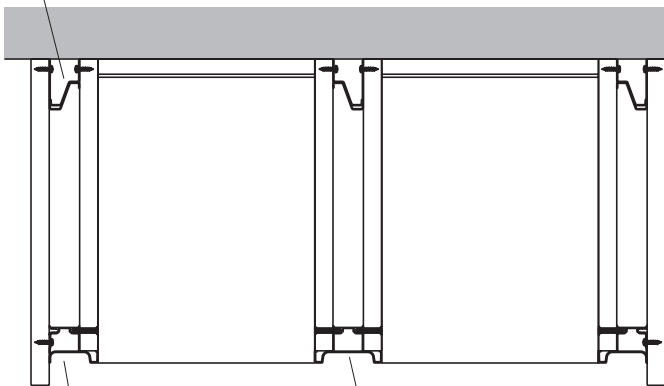
Spacer set for System D vertical profiles



- > Spacer set for System D vertical profiles, to provide 30 mm rear spacing
- > Set includes
 - 1x left hand bracket, 30 x 150 mm
 - 1x right hand bracket, 30 x 150 mm
 - 6x Ø 3.5 x 16 mm screws, zinc plated steel
- > Zinc plated steel
- > Order qty: 1 set



Spacer



GOLA System D profile
for vertical fixing between
cabinet and doors

GOLA System D profile
for vertical fixing between doors



For use with GOLA System D vertical profiles
shown on page 40

Spacer set

Cat. No.

126.36.958