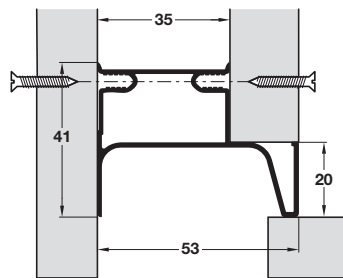




GOLA System E end profile, for vertical fixing between cabinet and door

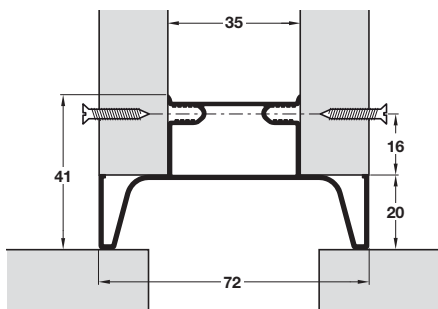


- > For fixing between the cabinet and door
- > Order fixing screws separately
- > Aluminium
- > Order qty: 1 pc (2.4 m length)



Length	2.4 m
Silver anodised	126.37.962
Bronze anodised	126.36.122
Graphite powder coated	126.37.762
Brushed brass anodised	126.37.562
Brushed copper anodised	126.37.162
Matt white powder coated	126.37.963
Matt black powder coated	126.37.964

GOLA System E profile, for vertical fixing between doors



- > For fixing between doors
- > Order fixing screws separately
- > Aluminium
- > Order qty: 1 pc (2.4 m length)



Length	2.4 m
Silver anodised	126.37.942
Bronze anodised	126.36.132
Graphite powder coated	126.37.742
Brushed brass anodised	126.37.542
Brushed copper anodised	126.37.142
Matt white powder coated	126.37.943
Matt black powder coated	126.37.944



- > When cutting aluminium a normal chop saw with a good blade for aluminium is needed
- > As a final step, a fine polishing with sanding paper is usually required as well as cleaning with compressed air

TCH DESIGN 2017. © Häfele U.K. Ltd 2017. Dimensional data not binding. We reserve the right to alter specifications without notice.

PAGE AMENDED
20.11.18/4

SALES DEPARTMENT 0800 171 2909

TECHNICAL SUPPORT 0800 171 2908