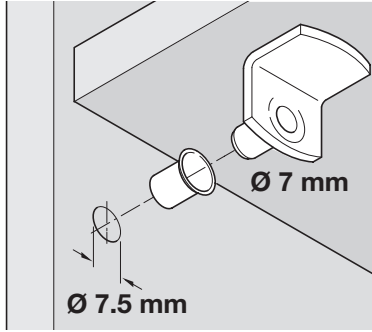
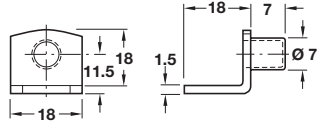


**Shelf support, plug in, for Ø 7 mm holes, or for use with socket**



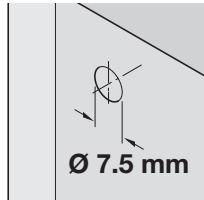
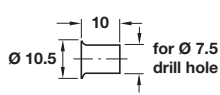
- > Angle form for Ø 7 mm hole or press-fitting into socket (not included, order separately)
- > Load carrying capacity 80 kg\*
- > Steel
- > Order qty: Multiples of 100 pcs



For press fitting into socket order 282.50.704 separately

Finish	Cat. No.
Nickel-plated	282.10.700

**Socket, plug in, for Ø 7.5 mm holes**



- > For use with shelf supports Cat. No. 282.01.505/701 and 282.10.700
- > For Ø 7.5 mm hole
- > Steel
- > Order qty: Multiples of 100/1000\* pcs



Finish	Cat. No.
Brass-plated	282.50.508
Nickel-plated	282.50.704*

**Drill bit**



- > For Ø 7.5 mm sleeve
- > Tooled steel
- > Order qty: 1 pc



Trial installation required - may drill larger holes in softer types of wood

	Cat. No.
Drill bit	006.36.716

**Punch tool**



- > For Ø 7.5 mm sleeve
- > Steel
- > Order qty: 1 pc

	Cat. No.
Punch tool	006.36.752



\*Load carrying capacity applies to 4 shelf supports bearing an evenly distributed load. Testing was carried out according to DIN EN 1727: 1998-06 "Mechanical safety requirements for shelf supports"