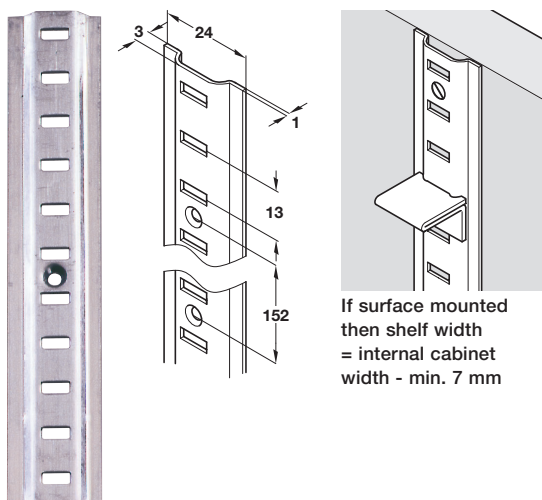


## Raised bookcase strip



If surface mounted then shelf width = internal cabinet width - min. 7 mm

- > Designed for surface fixing
- > Low profile and fewer fixing holes-cost effective
- > Wide flanges for possible surface spot welding
- > Ideal for installation within sheet metal cabinets
- > Top hat section for greater strength
- > Steel
- > Order qty: 1 pc (1 pc = 1829 mm)

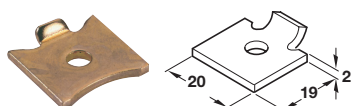


Finish	Cat. No.
Electro-brassed	283.00.510
Bright zinc-plated	283.00.910
Satin nickel	283.00.610
Mid brown powder coated*	283.00.110



\*Dark bronze studs will not match the mid brown strip colour exactly

## Shelf support stud, single



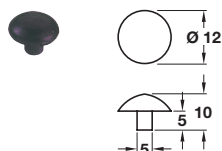
- > For use with raised bookcase strip shown above
- > For glass shelves order buffer 283.01.390 separately, shown below
- > Steel
- > Order qty: Multiples of 50 pcs

Finish	Cat. No.
Electro-brassed	283.01.520
Bright zinc-plated	283.01.920
Satin nickel	283.01.620
Dark bronze*	283.01.120



\*Dark bronze studs will not match the mid brown strip colour exactly

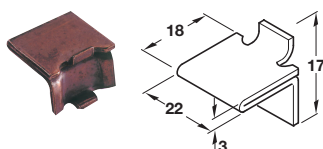
## Shelf support buffer



- > For use with single shelf support stud shown above, for glass shelves
- > Rubber
- > Order qty: Multiples of 50 pcs

Finish	Cat. No.
Black	283.01.390

## Shelf support stud, double



- > For use with raised bookcase strip shown above
- > Steel
- > Order qty: Multiples of 50 pcs

Finish	Cat. No.
Electro-brassed	283.01.530
Bright zinc-plated	283.01.930
Satin nickel	283.01.630
Dark bronze*	283.01.130



\*Dark bronze studs will not match the mid brown strip colour exactly



> The load capacity of the shelf support is dependent on:  
Shelf material  
Shelf depth