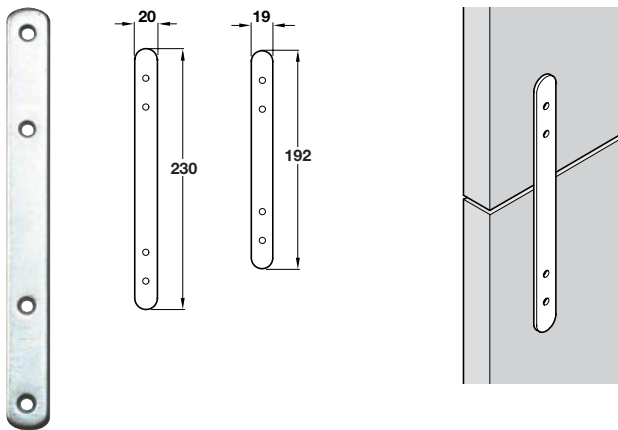


DOOR PANEL CONNECTORS

For connecting two doors or a door and drawer front together.



Door panel connecting plate



- > For screw mounting to the back of the panels
- > 2.5/3.0 mm thick steel
- > Order qty: 1 pc

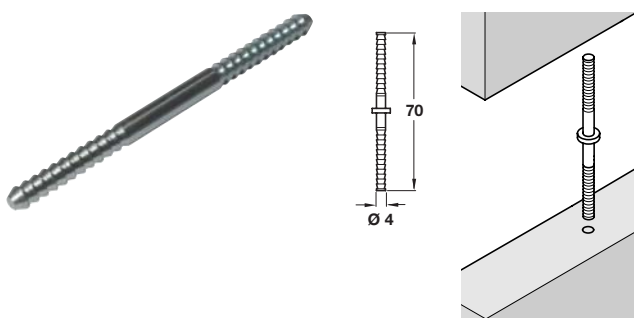


Length	192 mm	230 mm
Cream-white enamelled	260.22.450	-
Zinc-plated	260.22.950	-
White enamelled, 3.0 mm	-	260.22.700



M4 screws are shown in **Section 13** pages **20** and **23**

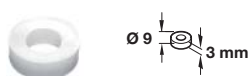
Door panel connecting bolt



- > Concealed double ended barbed bolt pushes into pre-drilled holes
- > Order washer separately
- > Steel
- > Order qty: 1 pc

Finish	Cat. No.
Chrome-plated	267.23.900

Door panel connecting bolt washer



- > Acts as a spacer between the two panels
- > Plastic
- > Order qty: Multiples of 100 pcs

Finish	Cat. No.
White	267.23.093