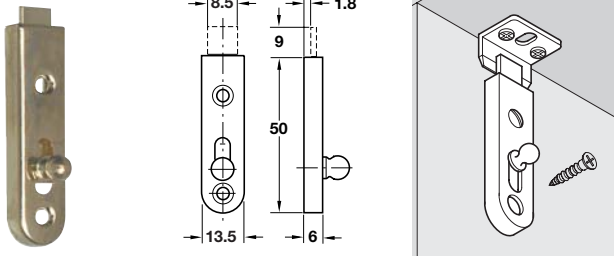


# FURNITURE BOLTS

8

Cabinet Locks, Catches and Bolts: Bolts

## Furniture bolt with straight slide, 50 mm length



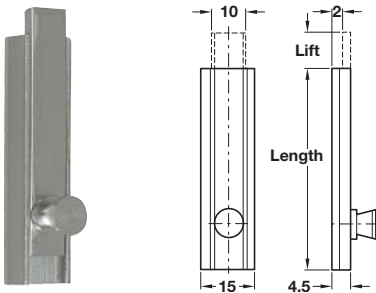
- > Steel
- > Order qty: 1 pc



Striking plates must be ordered separately, shown on page 153

Finish	Cat. No.
Nickel-plated	251.01.106

## Furniture bolt with straight slide



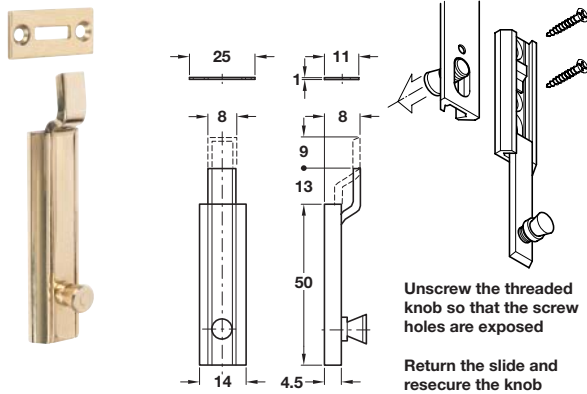
- > Concealed screw fixing
- > Brass
- > Order qty: 1 pc



Striking plates must be ordered separately, shown on page 153

Length	Lift	Matt nickel-plated	Matt brass
50 mm	9 mm	252.01.629	-
60 mm	11 mm	252.01.638	252.01.236
70 mm	11 mm	252.01.647	-

## Furniture bolt with cranked slide, 50 mm length

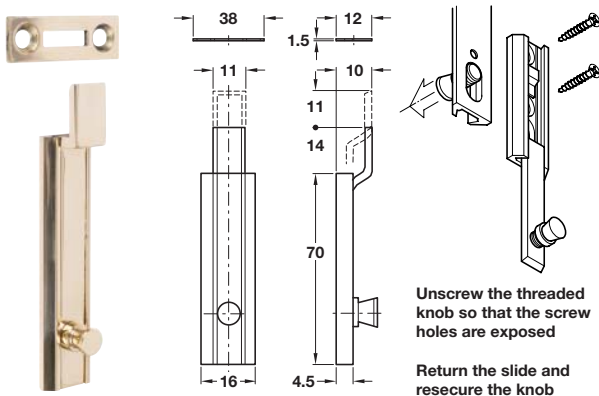


- > Concealed screw fixing
- > Solid brass
- > Order qty: 1 pc



Finish	Cat. No.
Ground	252.02.224

## Furniture bolt with cranked slide, 70 mm length



- > Concealed screw fixing
- > Solid brass
- > Order qty: 1 pc



Finish	Cat. No.
Ground	252.02.242