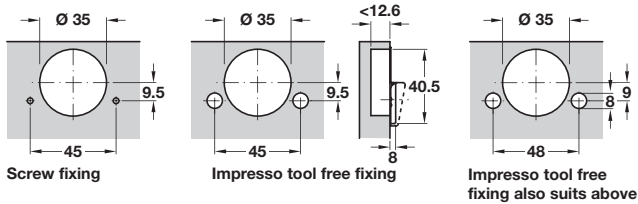


GRASS TIOMOS 110° POST HINGE



- > For blind corner applications
- > Opening angle 110°
- > Ø 35 mm cup
- > For door thickness up to 24 mm (for door thicknesses 24 mm and above, a trial fitting is recommended)
- > Available with or without integrated soft close
- > Screw fixing or Impresso (quick fix) fixing cup
- > Click on arm
- > Steel cup and zinc alloy hinge arm
- > Note: Dimensions in drawings and tables are calculated using factory settings and for mounting plate distance 2 mm
- > Order fixing screws separately
- > Order qty: 1 pc

Drilling pattern for cup fixing



Tiomos 110° Post Hinge

Door thickness mm	Distance to cup E mm				
	3.0	4.0	5.0	6.0	7.0
16	0.6	0.6	0.6	0.6	0.6
17	0.6	0.6	0.6	0.6	0.6
18	0.7	0.7	0.7	0.7	0.7
19	0.9	0.9	0.9	0.9	0.9
20	1.1	1.1	1.1	1.1	1.1
21	1.4	1.3	1.3	1.3	1.3
22	1.6	1.6	1.6	1.5	1.5
24	2.4	2.1	2.1	2.1	2.0
Minimum gap F					

Notes:
 Minimum reveal for doors with bevelled edges (R = 1 mm) (factory setting)
 Use standard mounting plate height 3 to ensure that door is flush fitting
 Hinge dimensions and reveal calculation with factory setting
 Door protrudes inwards when fully opened

Grass Tiomos 110° concealed post hinge

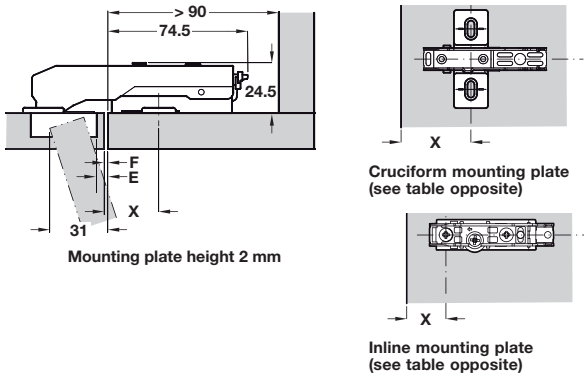


Table for cruciform mounting plate

Distance to cup E mm				
4	5	6	7	
1	0		28	
2	1	0	27	
3	2	1	0	26
Door reveal F mm		Dim. X mm		

Table for inline mounting plate

Distance to cup E mm				
4	5	6	7	
1	0		11	
2	1	0	10	
3	2	1	0	9
Door reveal F mm		Dim. X mm		



	Screw fixing	Impresso
Soft close		
With	348.37.800	348.37.830
Without	348.37.600	-

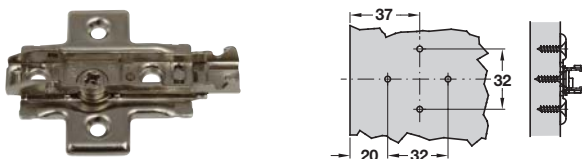
YOU ALSO NEED:

MOUNTING PLATES
Pages 66-68

FIXING SCREWS
Section 13 page 88

OPTIONAL ACCESSORIES
Pages 73-74, 109-121

Grass Tiomos cruciform mounting plate, 4 point fixing



- > For TIOMOS click on fixing hinges only
- > Hospa screw fixing
- > Two part plate with ± 2 mm height adjustment via worm screw
- > Nickel-plated steel
- > Order fixing screws separately
- > Order qty: 1 pc



A wider range of mounting plates are shown on pages 66-68

Height	Hospa screw
3 mm	348.38.513