

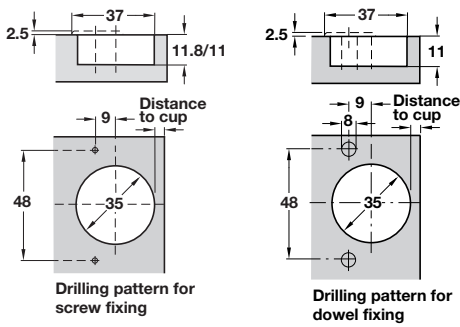
GRASS NEXIS 100° HINGES

9

Furniture Hinges and Flap Fittings: Hinges



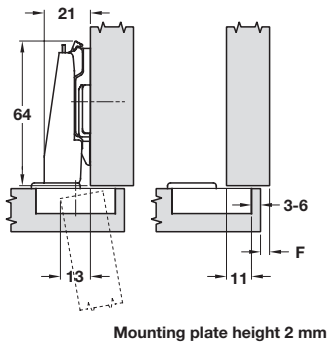
- > Opening angle 100°
- > Full overlay, half overlay/twin or inset mounting
- > Sprung
- > Ø 35 mm cup
- > For door thickness up to 24 mm see table below
- > Screw fixing cup
- > Choice of slide on or click on arms
- > Soft close compatible
- > Cup: Nickel-plated pressed steel
- > Arm: Nickel-plated pressed steel
- > Order fixing screws separately for screw fixing versions
- > Order qty: 1 pc



100° Hinge

Door thickness mm	Distance to cup E mm			
	3.0	4.0	5.0	6.0
16	0.6	0.6	0.6	0.6
18	0.9	0.9	0.9	0.9
19	1.1	1.1	1.1	1.1
20	1.4	1.4	1.4	1.4
22	1.9	1.9	1.9	1.9
24	2.5	2.5	2.5	2.5
Minimum gap				

Grass Nexis 100° concealed hinge, full overlay mounting



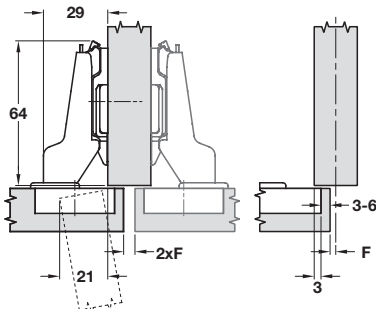
Door overlay mm	14	15	16	17	18	19	
					4	5	6
		4	5	5			2
Distance to cup E mm	Mounting plate height mm						



Fixing	Slide on	Click on
Screw fixing	323.40.500	322.15.540

PAGE AMENDED
21.08.18/1

Grass Nexis 100° concealed hinge, half overlay/twin mounting



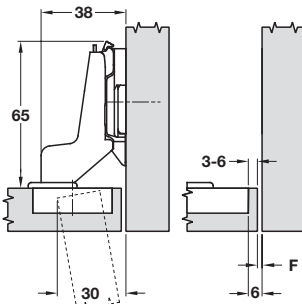
Mounting plate height 2 mm

Door overlay mm						
6	7	8	9	10	11	
			4	5	6	0
	4	5	6			2
Distance to cup E mm			Mounting plate height mm			



Fixing	Slide on	Click on
Screw fixing	323.40.501	322.15.541

Grass Nexis 100° concealed hinge, inset mounting



Mounting plate height 4 mm

Door gap mm			
	0	1	2
	4		2
	6	5	4
Distance to cup E mm	Mounting plate height mm		



Fixing	Slide on	Click on
Screw fixing	323.40.502	322.15.542

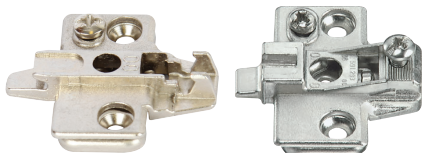
YOU ALSO NEED:

MOUNTING PLATES
Pages 100-102

FIXING SCREWS
Section 13 page 88

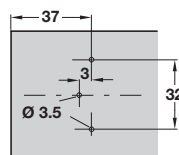
OPTIONAL ACCESSORIES
Pages 103-105, 109-121

Grass Nexis super compact cruciform mounting plate



Click on

Slide on



- > For Hospa screw fixing
- > Two part plate with external height adjustment
- > Nickel-plated zinc alloy and pressed steel
- > Order fixing screws separately
- > Order qty: 1 pc



Height	Click on	Slide on
0 mm	322.85.750	323.85.701
2 mm	322.85.752	323.85.729



A wider range of mounting plates are shown on pages **100-102**

PAGE AMENDED
21.08.18/1