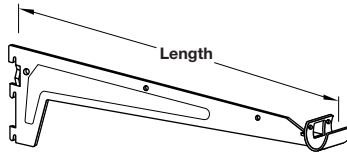


A Clothes rail bracket

- With oval clothes rail support
- Load carrying capacity **30 kg**
- Plastic coated steel

Length	White (RAL 9003)	Silver coloured (RAL 9006)
330 mm	772.73.208	770.73.233

Order qty: 1 pc



Discontinued ●

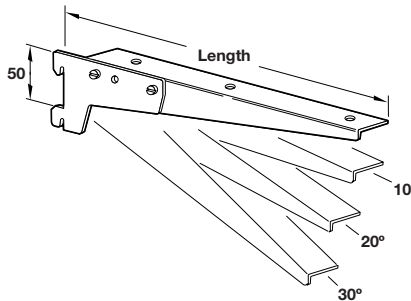
Discontinued when stock = 0 +

C Bracket

- With adjustable carrier arm, adjustable to 10°, 20° and 30°
- Load carrying capacity **55 kg**
- Plastic coated steel

Length	White (RAL 9003)	Silver coloured (RAL 9006)
250 mm	772.75.257	-
300 mm	772.75.300	-
400 mm	772.75.408	-

Order qty: 1 pair

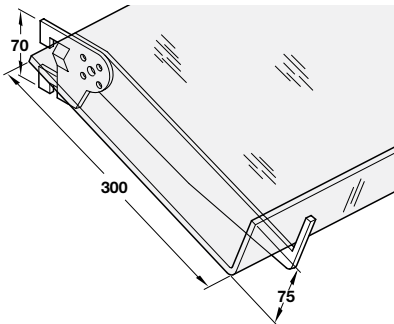


D Inclined bracket

- With adjustable support arm, adjustable to 20°, 30°, 40°, 57° and 75°
- Load carrying capacity **75 kg**
- Plastic coated steel

Finish	White (RAL 9003)	Silver coloured (RAL 9006)
Cat. No.	772.71.302	770.71.230

Order qty: 1 pair

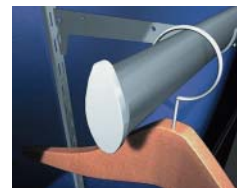
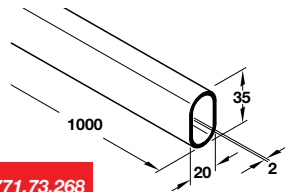


E Clothes rail

- Oval rail 20 x 35 mm
- Chrome plated steel

Length	Cat. No.
1000 mm	● 771.73.258

Order qty: 1 pc **Discontinued**
771.73.258 - No longer available. Offer alt. 771.73.268

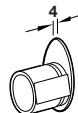


F Trim cap

- For clothes rail
- Plastic

Finish	Cat. No.
Grey	771.73.590

Order qty: 1 pc



G Clothes rail support

- For mounting the oval rail between columns with side positioned double slots
- Plastic

Finish	Cat. No.
White (RAL 9003)	771.73.791

Order qty: 1 pc



Dimensions in mm

We reserve the right to alter specifications without notice.