



Item A.
Catalogue shows 14 mm
Correct width is
15 mm

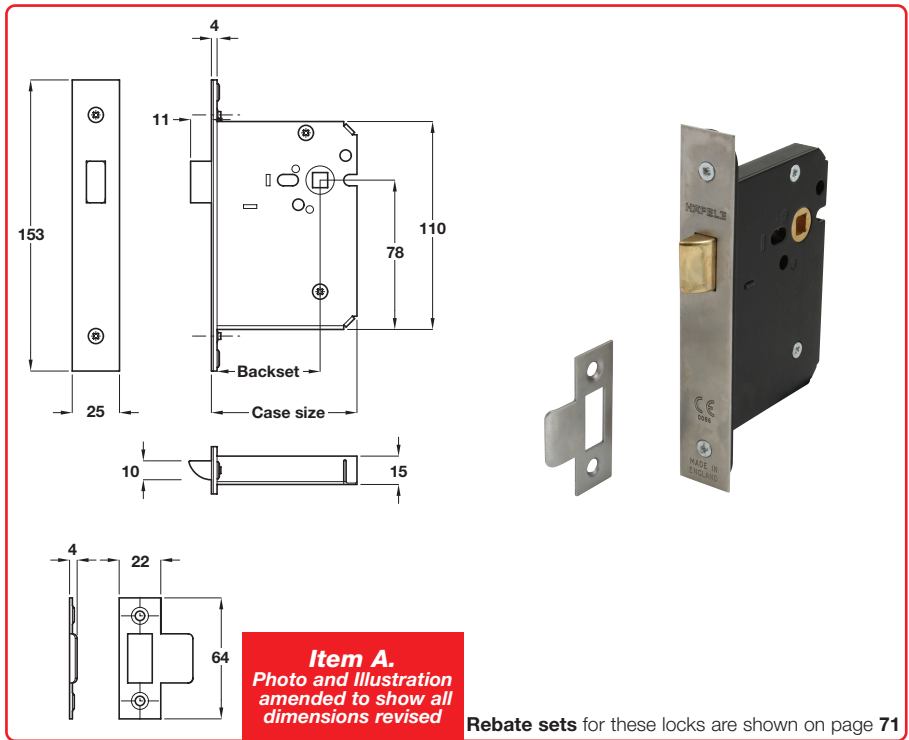
A Modular mortice latch

- Operation:** Latchbolt operated by lever handles
- Case:** Modular epoxy polyester powder coated steel, 15 mm wide
- Forend:** Square, 2 piece. Stainless steel or brass
- Strike plate:** Square, flat. Included. Stainless steel or brass
- Latchbolt:** Brass. Reversible, 11 mm throw
- Followers:** 8 mm brass. For use with sprung furniture (standard follower) or for use with unsprung furniture (heavy duty follower)
- Holed for bolt through furniture at 38 mm centres - 76 mm case size only
- 45 or 57 mm backset
- Fixing screws included
- For lever handles refer to Section 1

Item A.
Text added

	Standard	Heavy duty
Backset 45 mm, case size 63 mm		
Finish	Cat. No.	Cat. No.
Satin stainless steel	911.23.198	911.23.146
Satin brass	911.23.199	911.23.147
Backset 57 mm, case size 76 mm		
Finish	Cat. No.	Cat. No.
Satin stainless steel	911.23.200	911.23.148
Satin brass	911.23.201	911.23.149

Order qty: 1 pc



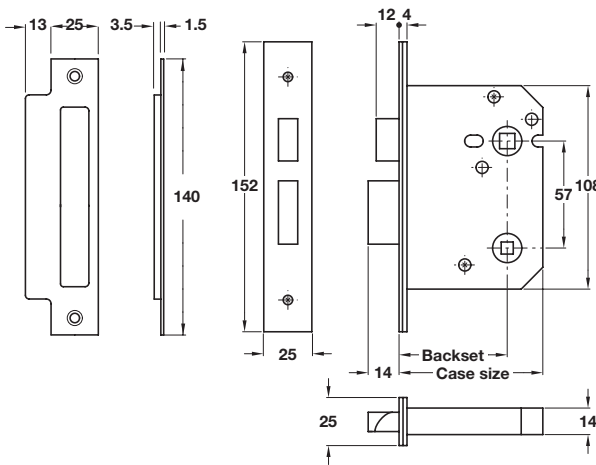
Rebate sets for these locks are shown on page 71



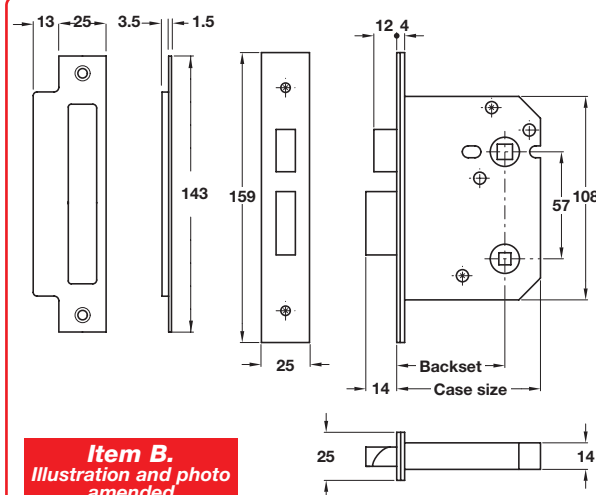
B Modular mortice bathroom lock

- Operation:** Latchbolt operated by lever handles. Deadbolt operated by turn
- Case:** Modular epoxy polyester powder coated steel, 14 mm wide
- Forend:** Square, 2 piece. Stainless steel or brass
- Strike plate:** Square, flat. Included. Stainless steel or brass
- Latchbolt:** Brass. Reversible
- Deadbolt:** Brass, 14 mm throw
- Followers:** Latchbolt - 8 mm brass, for use with sprung furniture. Deadbolt - 5 mm and 8 mm brass, for use with sprung furniture (standard follower) or for use with unsprung furniture (heavy duty follower)
- Holed for bolt through furniture at 38 mm centres - 76 mm case size only
- 45 or 57 mm backset
- Fixing screws included
- For lever handles and turn and release sets refer to Section 1

Followers sizes 8 + 5 mm



Followers sizes 8 + 8 mm



Rebate sets for these locks are shown on page 71

	Standard	Heavy duty
Followers size 8 + 5 mm		
Backset 45 mm, case size 63 mm		
Finish	Cat. No.	Cat. No.
Satin stainless steel	911.03.472	911.03.710
Satin brass	911.03.473	911.03.711
Backset 57 mm, case size 76 mm		
Finish	Cat. No.	Cat. No.
Satin stainless steel	911.03.357	911.03.712
Satin brass	911.03.358	911.03.713
Followers size 8 + 8 mm		
Backset 45 mm, case size 63 mm		
Finish	Cat. No.	Cat. No.
Satin stainless steel	911.03.520	911.03.715
Satin brass	911.03.521	911.03.716
Backset 57 mm, case size 76 mm		
Finish	Cat. No.	Cat. No.
Satin stainless steel	911.03.522	911.03.717
Satin brass	911.03.523	911.03.718

Order qty: 1 pc

TCH-A1 2008, HUK. Dimensional data not binding. We reserve the right to alter specifications without notice.