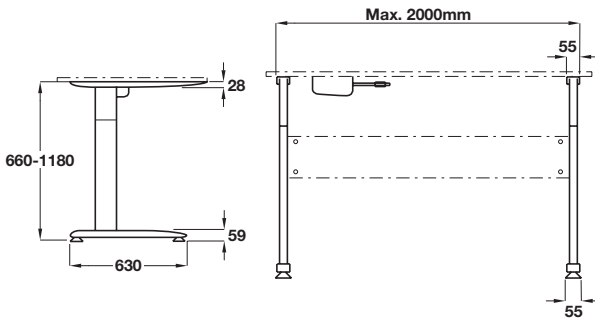


Frame set - two legs included, desktop and modesty panel not included



For L-shaped corner workstation - order 1x frame set and 1x additional leg



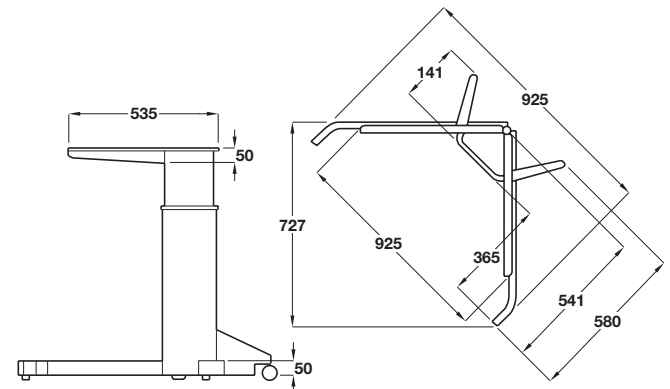
A Electric height adjustable desk frame

- Height adjustment from 660 to 1180 mm (without top)
- Required desktop size for 2 leg frame: *600-2000 mm width, 800-1000 mm depth
 *Aluminium telescopic driveshaft can be cut to achieve a width less than 1225 mm
- Load carrying capacity (including desktop): **70 kg**
- Dual rocker switch operation to improve safety
- Desktop movement of 25 mm/second
- Order frame set for 2 leg workstation
 Order frame set and additional leg for L-shaped corner workstations
- Silver (RAL 9006) powder coated steel
- **Note: Desktop and modesty panel are not supplied. Large desktops may require your own support rails to be added**

Item	Cat. No.
Frame set for 2 leg workstation	630.43.900
Additional leg and driveshaft for L-shaped desks	630.43.990

Order qty: 1 set (unassembled)

Single column desk frame - desktop not included



B Single column electric height adjustable desk frame

- Height adjustment from 660 to 1180 mm (without top)
- Required desktop size: 950-1170 mm width, 600-1000 mm depth
- Load carrying capacity (including desktop): **55 kg**
- Dual rocker switch operation to improve safety
- Desktop movement of 25 mm/second
- 2x Castors included, with brake
- Silver (RAL 9006) powder coated steel
- **Note: Desktop is not supplied**

	Cat. No.
Single column desk frame	630.43.930

Order qty: 1 pc

TCH 2013. © Häfele U.K. Ltd 2013. Dimensional data not binding. We reserve the right to alter specifications without notice.